

EMC.DEA-1TT5.v2022-05-23.q40

Exam Code:	DEA-1TT5
Exam Name:	Associate - Information Storage and Management Exam
Certification Provider:	EMC
Free Question Number:	40
Version:	v2022-05-23
# of views:	3078
# of Questions views:	400
https://www.exam-tests.com/DEA-1TT5-exam/EMC.DEA-1TT5.v2022-05-23.q40.html	

NEW QUESTION: 1

Which Dell EMC product creates a server and IP-based SAN from direct-attached server storage to deliver flexible and scalable performance and capacity on demand?

- A. PowerMax
- B. XtremIO
- C. VxFlex OS
- D. ViPR Controller

Answer: C ([LEAVE A REPLY](#))

NEW QUESTION: 2

An Ethernet switch has eight ports and all ports must be operational for 24 hours; from Monday through Friday.

However, a failure of Port 5 occurs as follows:

Tuesday = 6 AM to 7 AM

Thursday = 5 PM to 9 PM

Friday = 8 AM to 9 AM

What is the MTBF of Port 5?

- A. 30 hours
- B. 32 hours
- C. 40 hours
- D. 38 hours

Answer: D ([LEAVE A REPLY](#))

NEW QUESTION: 3

Which technology combines NAND flash memory into a hard disk drive and is a single, integrated device incorporating both types of storage?

- A. Fibre Channel drive

- B. Solid-state drive
- C. Solid-state hybrid drive
- D. Dual drive

Answer: ([SHOW ANSWER](#))

NEW QUESTION: 4

What is determined by the amount of space configured for the journal in continuous data protection (CDP) replication?

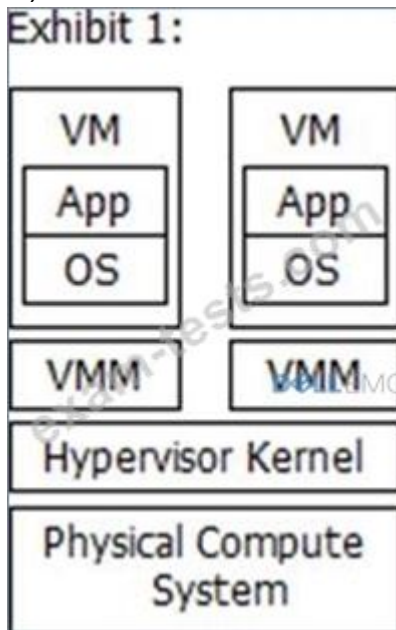
- A. Amount of data that can be restored to a specific point
- B. Length of time required to recover the data
- C. Length of time the recovery points can go back
- D. Amount of space the source and replica volumes require

Answer: C ([LEAVE A REPLY](#))

NEW QUESTION: 5

Which exhibit represents a Type 1 hypervisor?

A)



B)



C) Exhibit 3:



D)



- A. Option B
- B. Option C

C. Option D

D. Option A

Answer: ([SHOW ANSWER](#))

NEW QUESTION: 6

A company wants to implement a Fibre Channel (FC) SAN topology. The implementation will involve deploying four switches for localized compute and storage system connectivity. In addition, to meet their applications' performance requirements, they need a maximum of one ISL and redundant connections for their compute to storage traffic.

Which topology should be recommended?

A. Bus topology

B. Full mesh topology

C. Single-switch topology

D. Partial mesh topology

Answer: B ([LEAVE A REPLY](#))

NEW QUESTION: 7

When using a bridged iSCSI connection, which components facilitate communication between gateways?

A. Compute system with FC HBA ports and the storage system with only FC ports.

B. Compute system with FCoE ports and the storage system with iSCSI ports.

C. Compute system with iSCSI ports and the storage system with Ethernet ports.

D. Compute system with iSCSI ports and the storage system with only FC ports.

Answer: D ([LEAVE A REPLY](#))

NEW QUESTION: 8

What creates a large-scale SAN without storage systems and uses local storage of existing compute systems?

A. Compute-based SAN

B. Software-defined network

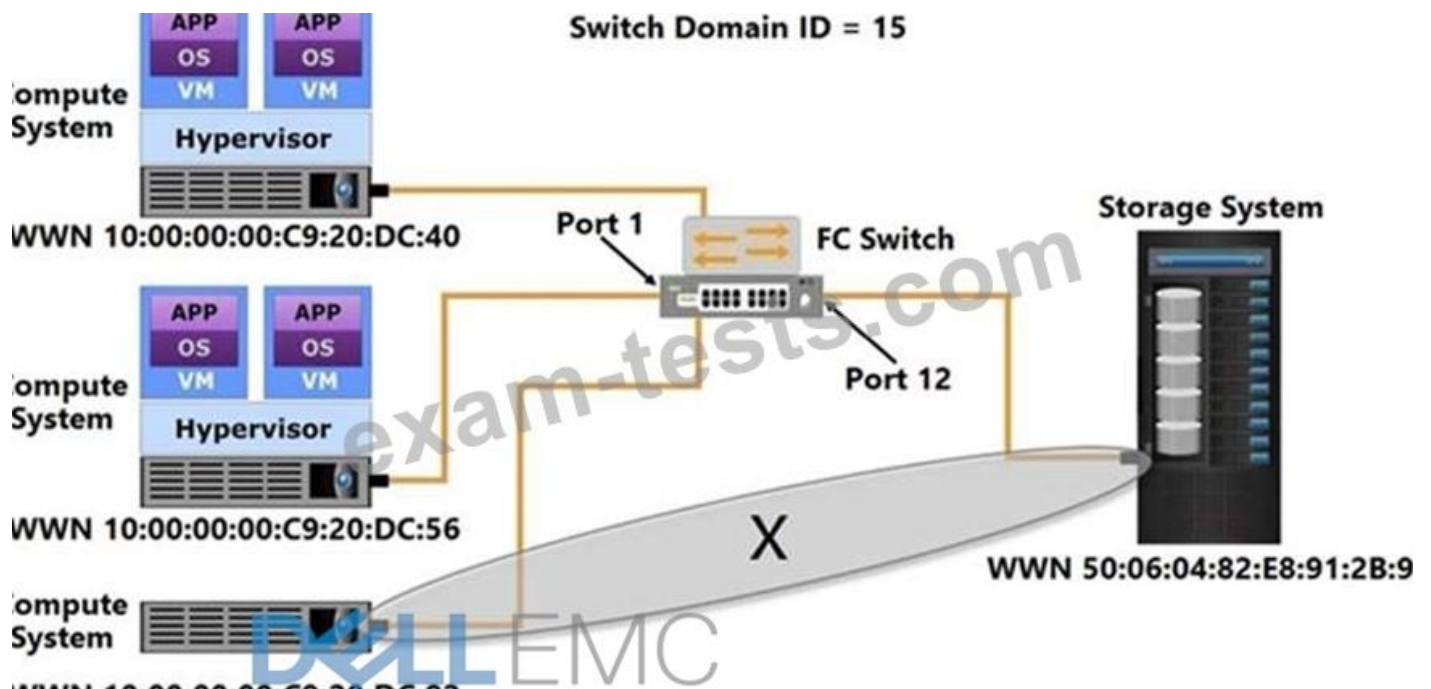
C. Storage-based SAN

D. Software-defined compute

Answer: A ([LEAVE A REPLY](#))

NEW QUESTION: 9

Which type of zoning does the "X" represent?



- A. Fabric zoning
- B. Port zoning
- C. WWN zoning
- D. Mixed zoning

Answer: ([SHOW ANSWER](#))

NEW QUESTION: 10

What accurately describes hypervisor-based continuous data protection?

- A. Virtual appliance is running on a hypervisor.
- B. Replica volumes are created in the hypervisor.
- C. Virtual appliance runs on a storage system.
- D. Journal is stored in a virtual machine.

Answer: ([SHOW ANSWER](#))

NEW QUESTION: 11

What accurately describes an object-based storage device (OSD)?

- A. Objects exist at the same level in the address space
- B. Numerous objects can be stored in a single namespace
- C. One object can be placed inside another object
- D. Objects are created based on the name and location of the file

Answer: A ([LEAVE A REPLY](#))

NEW QUESTION: 12

Why is it important for organizations to deploy business continuity solutions in their data center environment?

- A. Reduce the cost of protecting data within and outside data centers
- B. Eliminate the time required for maintenance of IT resources in the data center

- C. Avoid security risks that destroy the business data
- D. Employ compliance requirements for data protection

Answer: D (LEAVE A REPLY)

NEW QUESTION: 13

What is an accurate statement about scale-out NAS?

- A. Creates a different file system for each node in the cluster
- B. Stripes data across nodes with mirror or parity protection
- C. Supports only data replication for protecting data
- D. Pools node resources in a cluster to work as multiple NAS devices

Answer: B (LEAVE A REPLY)

NEW QUESTION: 14

DRAG DROP

Match the virtual machine (VM) file with its description.

Virtual Machine File	Description
Configuration file	Keeps a record of the VM's activity and is used in troubleshooting
Virtual disk file	Stores information such as VM name, BIOS information, guest OS type, and memory size
Snapshot file	Stores the VM settings and the virtual disk of a VM
Log file	Stores the contents of the VM's disk drive

Answer:

Configuration file: Stores information, such as VM name, BIOS information, guest OS type, memory size

Virtual disk file: Stores the contents of the VM's disk drive
 Memory state file: Stores the memory contents of a VM in a suspended state

Snapshot file: Stores the VM settings and virtual disk of a VM

Log file: Keeps a log of the VM's activity and is used in troubleshooting

Virtual Machine File	Description
Configuration file	Log file
Virtual disk file	Snapshot file
Snapshot file	Configuration file
Log file	Virtual disk file

NEW QUESTION: 15

Why is it important for organizations to implement a multi-site remote replication solution?

- A. Ensure data protection is always available if there are any single site failures

- B. Recover data to any point-in-time in the event of a remote site failure
- C. Provide consistent near-zero RPO in the event of source and remote site failures
- D. Perform synchronous replication with low network bandwidth

Answer: A ([LEAVE A REPLY](#))

NEW QUESTION: 16

DRAG DROP

In a backup operation, what are the correct sequence of steps after the backup server initiates the scheduled backup process?

Storage node sends data to the backup device	STEP 1
Backup server instructs the storage node to load the backup media in the backup device	STEP 2
Backup server updates the backup catalog	STEP 3
Backup clients send the data to the storage node and updates the backup catalog on the backup server	STEP 4
Storage node sends metadata and media information to the backup server	STEP 5

Answer:

Backup server instructs the storage node to load the backup media in the backup device
 Backup client send the data to the storage node and updates the backup catalog on the backup server
 Storage node sends data to the backup device
 Storage node sends metadata and media information to the backup server
 Backup server updates the backup catalog

Storage node sends data to the backup device	Backup server instructs the storage node to load the backup media in the backup device
Backup server instructs the storage node to load the backup media in the backup device	Backup clients send the data to the storage node and updates the backup catalog on the backup server
Backup server updates the backup catalog	Storage node sends data to the backup device
Backup clients send the data to the storage node and updates the backup catalog on the backup server	Storage node sends metadata and media information to the backup server
Storage node sends metadata and media information to the backup server	Backup server updates the backup catalog

Valid DEA-1TT5 Dumps shared by BraindumpsPass.com for Helping Passing DEA-1TT5 Exam! BraindumpsPass.com now offer the **newest DEA-1TT5 exam dumps**, the BraindumpsPass.com DEA-1TT5 exam **questions have been updated** and **answers have been corrected** get the **newest** BraindumpsPass.com DEA-1TT5 dumps with Test Engine here: <https://www.braindumpspass.com/EMC/DEA-1TT5-practice-exam-dumps.html> (307 Q&As Dumps, **40%OFF Special Discount: Exam-Tests**)

NEW QUESTION: 17

When using the erasure coding technique in an object-based storage system, data is divided into 12 data segments and 4 coding segments.

What is the maximum number of disk drive failures against which data is protected by the configuration?

- A. 3
- B. 4
- C. 12
- D. 8

Answer: B ([LEAVE A REPLY](#))

NEW QUESTION: 18

Which file system uses only UNIX systems for a client-server application protocol and Remote Procedure Call (RPC) for file sharing?

- A. Hadoop Distributed File System (HDFS)
- B. Common Internet File System (CIFS)
- C. New Technology File System (NTFS)
- D. Network File System (NFS)

Answer: D ([LEAVE A REPLY](#))

NEW QUESTION: 19

A company has virtualized their data center and wants to deploy a recovery-in-place backup approach.

What is the advantage of this type of approach?

- A. Eliminates the need to transfer the image from the backup device to the primary storage before it is restarted
- B. Reduces the recovery point objective to restore the data to any previous point-in-time using backed up VMs
- C. Acquires backup services through a self-service portal
- D. Eliminates the backup impact on the application servers

Answer: A ([LEAVE A REPLY](#))

NEW QUESTION: 20

What is an accurate statement about Storage Class Memory (SCM)?

- A. SCM can be addressed at the bit or word level
- B. SCM is faster than DRAM
- C. SCM read and write speeds are slower than flash
- D. SCM has volatile memory

Answer: A ([LEAVE A REPLY](#))

NEW QUESTION: 21

A company's Finance department needs 200 GB of storage for their business applications. A LUN is created with 200 GB and RAID 1 is configured to support the applications.

If the cost of storage per GB is \$2, what is the chargeback cost to the department for application storage?

- A. \$ 1500
- B. \$ 400
- C. \$ 200
- D. \$ 800

Answer: D ([LEAVE A REPLY](#))

NEW QUESTION: 22

Which cloud deployment model allows provisioning of a cloud infrastructure only for use by a single organization having multiple consumers?

- A. Private cloud
- B. Public cloud
- C. Multi-cloud
- D. Hybrid cloud

Answer: A ([LEAVE A REPLY](#))

NEW QUESTION: 23

What is a key objective to performing continuous replication?

- A. Reduce the RPO to near-zero.
- B. Avoid performing data archiving.
- C. Avoid performing data backups.
- D. Reduce the deduplication ratio.

Answer: ([SHOW ANSWER](#))

NEW QUESTION: 24

An organization plans to deploy a deduplication solution in their data center environment. They are concerned about the application servers' performance and a long backup window during backups. However, they want to retain their existing backup application.

Which deduplication solution(s) should be recommended?

- A. Target-based deduplication
- B. Source-based global deduplication
- C. Source-based with variable-length deduplication
- D. Source-based with fixed-length block deduplication

Answer: C ([LEAVE A REPLY](#))

NEW QUESTION: 25

A Fibre Channel switch has eight ports and all ports must be operational 24*7.

However, a failure of Port 5 occurs on a particular week as follows:

- * Monday = 11 AM to 12 PM
- * Thursday = 7 AM to 11 AM
- * Saturday = 11 AM to 1 PM

What is the availability of Port 5 in that week?

- A. 94.1%
- B. 95.8%
- C. 97%
- D. 93%

Answer: B ([LEAVE A REPLY](#))

NEW QUESTION: 26

Which product provides an organization with the power to search and analyze vast amounts of data in one place and helps administrators to discover suspicious event trends?

- A. Dell InTrust
- B. Dell Change Auditor
- C. VMware AirWatch
- D. VMware AppDefense

Answer: A ([LEAVE A REPLY](#))

NEW QUESTION: 27

In an archiving environment, how is a content address created in a content addressable storage (CAS) system to store an object?

- A. By using the physical address of the storage device.
- B. By using the logical address of the memory space.
- C. From the metadata of an object.
- D. From the binary representation of an object.

Answer: D ([LEAVE A REPLY](#))

NEW QUESTION: 28

What is a key advantage of implementing FCIP?

- A. Provides a dedicated network for transmission of storage traffic within a data center.

- B. Ensures lossless transmission of FC traffic across data centers over Ethernet.
- C. Provides a disaster recovery solution by replicating data across data centers.
- D. Enables migration of VMs across data centers by using existing FC networks.

Answer: C (LEAVE A REPLY)

NEW QUESTION: 29

Which Dell EMC product is a software-defined storage platform that abstracts, pools, and automates a data center's physical storage infrastructure?

- A. PowerMax
- B. VxFlex OS
- C. ViPR Controller
- D. XtremIO

Answer: C (LEAVE A REPLY)

NEW QUESTION: 30

In an FCoE switch, which function is provided by the Fibre Channel Forwarder (FCF)?

- A. Communication bridge between CEE and FC networks
- B. Communication bridge between FC and FCIP networks
- C. Communication bridge between CEE and FCIP networks
- D. Communication bridge between CEE and IP networks

Answer: A (LEAVE A REPLY)

NEW QUESTION: 31

DRAG DROP

In a recovery operation, what is the correct sequence of steps after the backup client sends a restore request to the backup server?

Storage node sends the restored metadata to the backup server	STEP 1
Data is read and then sent to the backup client	STEP 2
Backup server scans the backup catalog to identify the data to be restored and the client that will receive the data	STEP 3
Backup server updates the backup catalog	STEP 4
Backup server instructs the storage node to load the backup media in the backup device	STEP 5

Answer:

- (1) Backup client requests backup server for data restore
- (2) Backup server scans backup catalog to identify data to be restored and the client that will receive data
- (3) Backup server instructs storage node to load backup media in the backup device
- (4) Data is then read and sent to the backup client

(5) Storage node sends restore metadata to the backup server (6) Backup server updates the backup catalog

Storage node sends the restored metadata to the backup server	Backup server instructs the storage node to load the backup media in the backup device
Data is read and then sent to the backup client	Backup server scans the backup catalog to identify the data to be restored and the client that will receive the data
Backup server scans the backup catalog to identify the data to be restored and the client that will receive the data	Storage node sends the restored metadata to the backup server
Backup server updates the backup catalog	Data is read and then sent to the backup client
Backup server instructs the storage node to load the backup media in the backup device	Backup server updates the backup catalog

Valid DEA-1TT5 Dumps shared by BraindumpsPass.com for Helping Passing DEA-1TT5 Exam! BraindumpsPass.com now offer the **newest DEA-1TT5 exam dumps**, the BraindumpsPass.com DEA-1TT5 exam **questions have been updated** and **answers have been corrected** get the **newest** BraindumpsPass.com DEA-1TT5 dumps with Test Engine here: <https://www.braindumps.com/EMC/DEA-1TT5-practice-exam-dumps.html> (307 Q&As Dumps, **40%OFF Special Discount: Exam-Tests**)

NEW QUESTION: 32

Which functionality is provided by a process login in a Fibre Channel (FC) SAN environment?

- A. Exchange ULP-related parameters between two N_ports
- B. Establishes a session that occurs between two E_ports
- C. Establishes a connection to the fabric between an N_port and an F_port
- D. Exchanges service relevant parameters between an N_port and an N_port

Answer: (SHOW ANSWER)

NEW QUESTION: 33

Which security mechanism ensures secure access to internal assets while enabling Internet-based access to selected resources?

- A. Demilitarized zone
- B. Discovery domain
- C. Virtual local area network
- D. Virtual private network

Answer: A (LEAVE A REPLY)

NEW QUESTION: 34

in a NAS environment, which file system provides a public or open variation of the Server Message Block (SMB) protocol and uses the TCP/IP protocol?

- A. Common Internet File System (CIFS)
- B. Network File System (NFS)
- C. New Technology File System (NTFS)
- D. Hadoop Distributed File System (HDFS)

Answer: A ([LEAVE A REPLY](#))

NEW QUESTION: 35

What accurately describes a shared pool in virtual provisioning?

- A. Consists of only a virtual storage volume.
- B. Supports a single RAID protection level.
- C. Should contain only homogeneous disk drive types.
- D. Should contain only physical drives with different sizes.

Answer: B ([LEAVE A REPLY](#))

NEW QUESTION: 36

In a RAID 6 array with four disks, what is the total usable data storage capacity on the array if the disk size is 200 GB?

- A. 200 GB
- B. 400 GB
- C. 600 GB
- D. 800 GB

Answer: ([SHOW ANSWER](#)**)**

NEW QUESTION: 37

What accurately describes the scale-out storage architecture?

- A. Provides a fixed capacity ceiling that limits scalability beyond a storage system.
- B. Restricts scalability to the limits of the storage controllers.
- C. Scales the capacity only within a single storage system.
- D. Provides the capability to maximize its capacity by adding nodes to the cluster.

Answer: D ([LEAVE A REPLY](#))

NEW QUESTION: 38

Which functionality does a Control layer provide in a software-defined networking architecture?

- A. Establishing communications between the Infrastructure and Interface layers.
- B. Defining the network behavior through various policies.
- C. Forwarding data packets based on the requirements from the Application layer.
- D. Making decisions on how the packets should be forwarded.

Answer: ([SHOW ANSWER](#)**)**

NEW QUESTION: 39

DRAG DROP

Match the types of attack with their respective description.

Attack Types	Description
Denial-of-Service	Sends a spoofing email containing a link(s) to a fraudulent website
Phishing	Installs a rogue hypervisor that takes control of a compute system
Man-in-the-Middle	Prevents legitimate users from accessing resources or services
Hyperjacking	Eavesdrops on the network to capture credentials

Answer:

Attack Types	Description
Denial-of-Service	Phishing
Phishing	Hyperjacking
Man-in-the-Middle	Denial-of-Service
Hyperjacking	Man-in-the-Middle

NEW QUESTION: 40

What is an accurate statement about a virtual SAN (VSAN)?

- A. Every VSAN created on a physical SAN must have the same fabric configuration
- B. Each VSAN has its own fabric services, configuration, and set of FC addresses
- C. Events causing traffic disruptions in one VSAN are propagated to other VSANs
- D. Nodes that are present in different VSANs should not have the same FC address

Answer: B ([LEAVE A REPLY](#))

Valid DEA-1TT5 Dumps shared by BraindumpsPass.com for Helping Passing DEA-1TT5 Exam! BraindumpsPass.com now offer the **newest DEA-1TT5 exam dumps**, the BraindumpsPass.com DEA-1TT5 exam **questions have been updated** and **answers have been corrected** get the **newest** BraindumpsPass.com DEA-1TT5 dumps with Test Engine

here: <https://www.braindumppass.com/EMC/DEA-1TT5-practice-exam-dumps.html> (307

Q&As Dumps, **40%OFF** Special Discount: **Exam-Tests**)