

HP.HPE6-A73.v2024-12-09.q101

Exam Code:	HPE6-A73
Exam Name:	Aruba Certified Switching Professional Exam
Certification Provider:	HP
Free Question Number:	101
Version:	v2024-12-09
# of views:	741
# of Questions views:	1010
https://www.exam-tests.com/HPE6-A73-exam/HP.HPE6-A73.v2024-12-09.q101.html	

NEW QUESTION: 1

An administrator is implementing a downloadable user role solution involving AOS-CX switches. The AAA solution and the AOS-CX switches can successfully authenticate users; however, the role information fails to download to the switches. What policy should be added to an intermediate firewall to allow the downloadable role function to succeed?

- A. Allow UDP 1811
- B. Allow UDP 8211
- C. Allow TCP 443
- D. Allow TCP 22

Answer: C (LEAVE A REPLY)

NEW QUESTION: 2

A company has a third-party AAA server solution. The campus access layer was just upgraded to AOS-CX switches that perform access control with MAC-Auth and 802.1X. The company has an Aruba Mobility Controller (MC) solution for wireless, and they want to leverage the firewall policies on the controllers for the wired traffic. What is correct about how the company should implement a security solution where the wired traffic is processed by the MCs?

- A. Implement standards-based RADIUS VSAs to pass policy information directly to the AOS-CX switches and MCs
- B. Implement local user roles with a gateway role defined on the AOS-CX switches
- C. Implement downloadable user roles with a device role defined on the AOS-CX switches and MCs
- D. Implement downloadable user roles with a gateway role defined on the AOS-CX switches

Answer: C (LEAVE A REPLY)

NEW QUESTION: 3

Examine the following AOS-CX switch configuration:

NEW QUESTION: 5

An administrator will be deploying NetEdit to manage an Aruba solution. What does NetEdit support?

- A. Support for Aruba-supplied security updates
- B. Can be purchased as a VM and/or hardware appliance
- C. Manages AOS-CX switches and Aruba gateways
- D. Tracks configuration and hardware information

Answer: C (LEAVE A REPLY)

NEW QUESTION: 6

A network administrator is managing a network that deploys a multicast service. The administrator has multiple streams successfully being routed by PIM-DM in the network. The administrator then adds a new stream with a destination address of 239.0.0.1. However, clients who have not joined the stream are receiving it. What should the administrator do to fix this problem?

- A. Define the 239.0.0.1 stream on the rendezvous point (RP).
- B. Change the destination multicast address to 239.1.1.1.
- C. Define the 239.0.0.1 stream on the PIM candidate bootstrap router.
- D. Verify that IGMP is enabled between the switches connecting the multicast source and receivers.

Answer: D (LEAVE A REPLY)

NEW QUESTION: 7

A network engineer is examining NAE graphs from the Dashboard but notices that the time shown in the graph does not represent the current time. The engineer verifies that the AOS-CX switch is configured for NTP and is successfully synchronized. What should be done to fix this issue?

- A. Ensure the engineer's web browser is configured for the same timezone as the AOS-CX switch.
- B. Ensure the engineer's PC is synchronized to the same NTP server as the AOS-CX switch.
- C. Ensure NetEdit and the AOS-CX switch are synchronized to the same NTP server.
- D. Enable trust settings for the AOS-CX switch's SSL certificate.

Answer: B (LEAVE A REPLY)

https://techhub.hpe.com/eginfolib/Aruba/AOS-CX_10.04/5200-6724/index.html#GUID-2048A4D8-5458-4C00-ACA7-8C392182215E.html

NEW QUESTION: 8

A company uses NetEdit to manage a network of 700 AOS-CX switches and approximately 1,000 other SNMP-capable devices.

Which management solution should the company use to monitor all the devices, as well as see a topology picture of how all the devices are connected together?

- A. Network Analysis Engine (NAE)
- B. Aruba AirWave
- C. Aruba Activate
- D. NetEdit

Answer: D (LEAVE A REPLY)

NEW QUESTION: 9

Examine the commands entered on an AOS-CX switch:

```
switch(config)# pbr-action-list test1
switch(config-pbr-action-list-test1)# nexthop 1.1.1.1
switch(config-pbr-action-list-test1)# nexthop 2.2.2.2
switch(config-pbr-action-list-test1)# default-nexthop 9.9.9.9
switch(config-pbr-action-list-test1)# interface null
switch(config-pbr-action-list-test1)# exit
switch(config)# interface vlan 100
switch(config-if)# apply policy test1 routed-in
```

What is true regarding this configuration for traffic received on interface 100?

- A. The traffic is always dropped if the next-hop addresses are unreachable.
- B. The next-hop address of 1.1.1.1 is overwritten by the next-hop address of 2.2.2.2.
- C. The traffic will be routed with the IP routing table entries if the next-hop addresses are unreachable.
- D. The default next-hop address supersedes the two preceding next-hop addresses.

Answer: D (LEAVE A REPLY)

NEW QUESTION: 10

What is correct regarding the tunneling of user traffic between AOS-CX switches and Aruba Mobility Controllers (MCs)?

- A. Uses IPSec to protect the management and data traffic
- B. Uses the same management protocol as Aruba APs
- C. Uses IPSec to protect the management traffic
- D. Supports only port-based tunneling

Answer: D (LEAVE A REPLY)

NEW QUESTION: 11

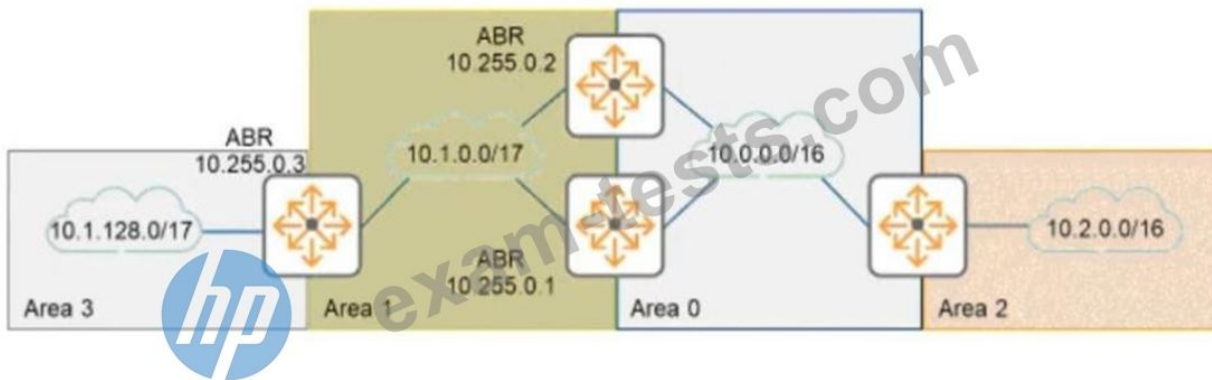
Which option correctly defines how to identify a VLAN as a voice VLAN on an AOS-CX switch?

- A. Switch(config)# port-access Jidp-group <LLDP-group-name>
Switch(config-Hdp-group)# vlan <VLAN-ID>
- B. Switch(config)# vlan <VLAN-ID>
Switch(config-vtan-<VLAN*ID>)# voice
- C. Switch(config)# port-access role <role-name>
Switch^config-pa-roieW vlan access <VLAN-ID>
- D. Switch(config)# vlan <VLAN-ID> voice

Answer: (SHOW ANSWER)

NEW QUESTION: 12

Examine the attached exhibit.



The network administrator is trying to add a remote location as area 3 to the network shown in the diagram. Based on current connection restrictions, the administrator cannot connect area 3 directly to area 0. The network is using AOS-CX switches.

Which feature should the administrator implement to provide connectivity to the remote location?

- A. OSPFv3
- B. Not-so-study areas
- C. Virtual links
- D. Bidirectional forward detection (BFD)

Answer: ([SHOW ANSWER](#))

NEW QUESTION: 13

In AOS-CX switching, what determines when a frame is forwarded by the switch between the ingress and the egress port?

- A. Egress port
- B. Ingress port
- C. Fabric Load Balancer
- D. VSX switch tables

Answer: ([SHOW ANSWER](#))

NEW QUESTION: 14

Examine the AOS-CS switch output:

```
Switch# show aaa authentication port-access interface 1/1/1 client-status

Port Access Client Status Details

Client 00:50:56:b1:7a:37, icx-employee

Session Details
-----
Port          : 1/1/3
Session Time  : 31273s

Authentication Details
-----
Status          : dot1x Authenticated
Auth Precedence : dot1x - Authenticated, mac-auth - Not attempted

Authorization Details
-----
Role           : aruba_contractor-3044-7
Status        : Applied
```

Based on this output, what is correct?

- A. A local user role was deployed using a ClearPass solution
- B. 802.1X authentication occurred and downloadable user roles are deployed
- C. Only 802.1X authentication is configured on the port
- D. 802.1X authentication was successful, but MAC authentication is yet to start

Answer: [\(SHOW ANSWER\)](#)

NEW QUESTION: 15

An AOS-CX switch is configured to implement downloadable user roles. Examine the AOS-CX switch output:

```
Access1(config)# show aaa authentication port-access interface all client-status

Port Access Client Status Details

Client 00:50:56:b1:7a:37
=====
Session Details
-----
Port : 1/1/3
Session Time : 1887s

Authentication Details
-----
Status : mac-auth Authenticated
Auth Precedence : dot1x - Not attempted, mac-auth - Authenticated

Authorization Details
-----
Role :
Status : Not ready
```

Based on this output, what is the state of the user's access?

- A. The port should be configured for 802.1X

- B. No downloadable user role exists
- C. MAC authentication has passed, but 802.1X authentication is in progress
- D. The RADIUS request timed out to the AAA server

Answer: ([SHOW ANSWER](#))

NEW QUESTION: 16

When implementing deficit weighted round robin queuing, what importance does the weight value have?

- A. Percentage of interface bandwidth
- B. Strict priority queue
- C. Prioritizing latency-sensitive traffic
- D. Queue priority in processing traffic

Answer: ([SHOW ANSWER](#))

Valid HPE6-A73 Dumps shared by BraindumpsPass.com for Helping Passing HPE6-A73 Exam!
BraindumpsPass.com now offer the **newest HPE6-A73 exam dumps**, the BraindumpsPass.com HPE6-A73 exam **questions have been updated** and **answers have been corrected** get the **newest** BraindumpsPass.com HPE6-A73 dumps with Test Engine here: <https://www.braindumpspass.com/HP/HPE6-A73-practice-exam-dumps.html> (130 Q&As Dumps, **40%OFF** Special Discount: **Exam-Tests**)

NEW QUESTION: 17

Which protocol does NetEdit use to discover devices in a subnet during the discovery process?

- A. ARP
- B. DHCP
- C. ICMP
- D. LLDP

Answer: C ([LEAVE A REPLY](#))

NEW QUESTION: 18

An administrator wants to implement dynamic segmentation policies. The network consists of AOS-CX and Aruba gateways.

Which type of forwarding should the administrator implement for users that already connect via wireless, but will also be connecting on Ethernet switch ports?

- A. Local switching
- B. Switch-to-switch tunneling (SST)
- C. Port-based tunneling (PBT)
- D. User-based tunneling (UBT)

Answer: D ([LEAVE A REPLY](#))

NEW QUESTION: 19

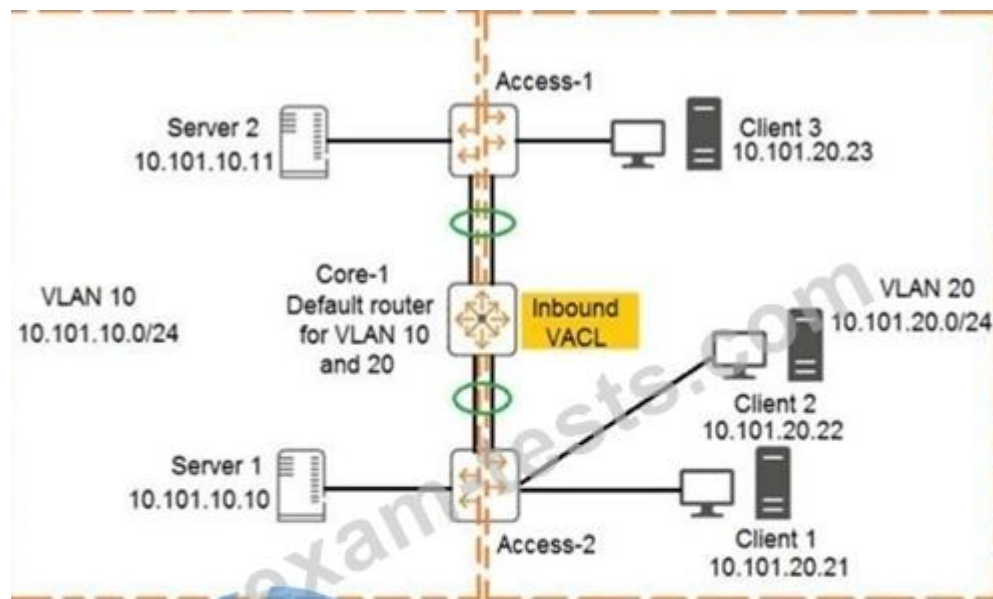
An administrator wants to leverage always-on PoE on AOS-CX switches. Which statement is correct regarding this feature?

- A. Supports all AOS-CX switches
- B. Provides surge protection for PoE and non-PoE ports
- C. Requires NetEdit to implement
- D. Provides up to 60W of power per port

Answer: D (LEAVE A REPLY)

NEW QUESTION: 20

Examine the network exhibit:



The ACL configuration defined on Core-1 is as follows:

```
Core-1(config)# access-list ip example
Core-1(config-acl-ip)# permit ip 10.101.20.21/32 any eq 23
Core-1(config-acl-ip)# permit ip 10.101.20.21/32 eq 23 any
Core-1(config-acl-ip)# exit
Core-1(config)# vlan 20
Core-1(config-if)# apply access-list example in
```

The ACL configuration defined on Core-1 is as follows:

If telnet was being used, which device connection would be permitted and functional in both directions?

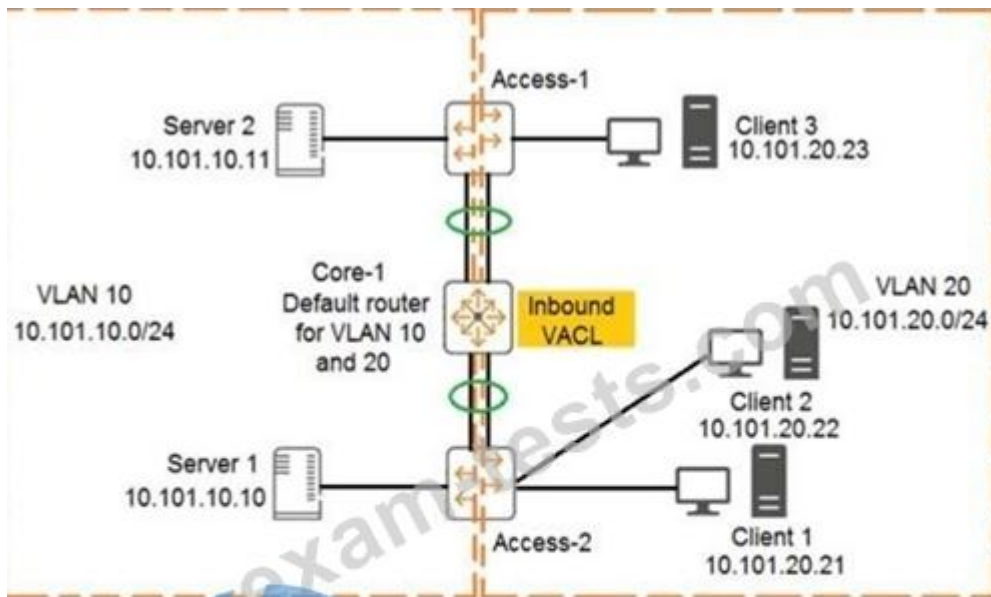
(Choose two.)

- A. Server 1 to Client 1
- B. Client 1 to Client 3
- C. Client 1 to Client 2
- D. Client 3 to Client 2
- E. Server 2 to Client 2

Answer: (SHOW ANSWER)

NEW QUESTION: 21

Examine the network exhibit:



The ACL configuration defined on Core-1 is as follows:

```
Core-1(config)# access-list ip example
Core-1(config-acl-ip)# permit ip 10.101.20.21/32 any eq 23
Core-1(config-acl-ip)# permit ip 10.101.20.21/32 eq 23 any
Core-1(config-acl-ip)# exit
Core-1(config)# vlan 20
Core-1(config-if)# apply access-list example in
```

The ACL configuration defined on Core-1 is as follows:

If telnet was being used, which device connection would be permitted and functional in both directions?

(Choose two.)

- A. Server 2 to Client 2
- B. Server 1 to Client 1
- C. Client 1 to Client 2
- D. Client 1 to Client 3
- E. Client 3 to Client 2

Answer: C,D (LEAVE A REPLY)

NEW QUESTION: 22

A network engineer is having a problem adding a custom-written script to an AOS-CX switch's NAE GUI.

The script was written in Python and was successfully added on other AOS-CX switches. The engineer examines the following items from the CLI of the switch:

switch# show capacities-status nae

System Capacities Status: Filter NAE

Capacity Status Name	Value	Maximum
Number of configured NAE agents currently active in the system	1	100
Number of configured NAE monitors currently active in the system	7	500
Number of configured NAE scripts currently active in the system	50	50

switch# show ntp status

NTP Status Information

NTP : Disabled

NTP Authentication : Disabled

NTP Server Connections : Using the default VRF

System time : Sat May 2 11:50:55 UTC 2020

NTP uptime : 0 minutes, 0 seconds

Not synchronized with an NTP server.

switch# show crypto pki certificate

Certificate Name	Cert Status	Associated Applications
local-cert	installed	captive-portal, hsc, https-server,
syslog-client		

switch# show crypto pki application

Associated Applications	Certificate Name	Cert Status
captive-portal		not configured, using local-cert
hsc		not configured, using local-cert
https-server		not configured, using local-cert
syslog-client		not configured, using local-cert

What should the engineer perform to fix this issue?

- A. Enable trust settings for the AOS-CX switch's SSL certificate
- B. Install the script's signature before installing the new script
- C. Ensure the engineer's desktop and the AOS-CX switch are synchronized to the same NTP server
- D. Remove a script that is no longer used before installing the new script

Answer: D (LEAVE A REPLY)

NEW QUESTION: 23

A network administrator is implementing BGP for a larger network. The network has over 20 exit points across 15 different BGP routers. The administrator does not want to implement a fully-meshed iBGP peering between all BGP routers.

Which feature should the administrator implement to reduce the number of peers the administrator needs to define?

- A. Peer-Groups
- B. BFD
- C. Route reflectors
- D. Next-hop-self

Answer: A (LEAVE A REPLY)

NEW QUESTION: 24

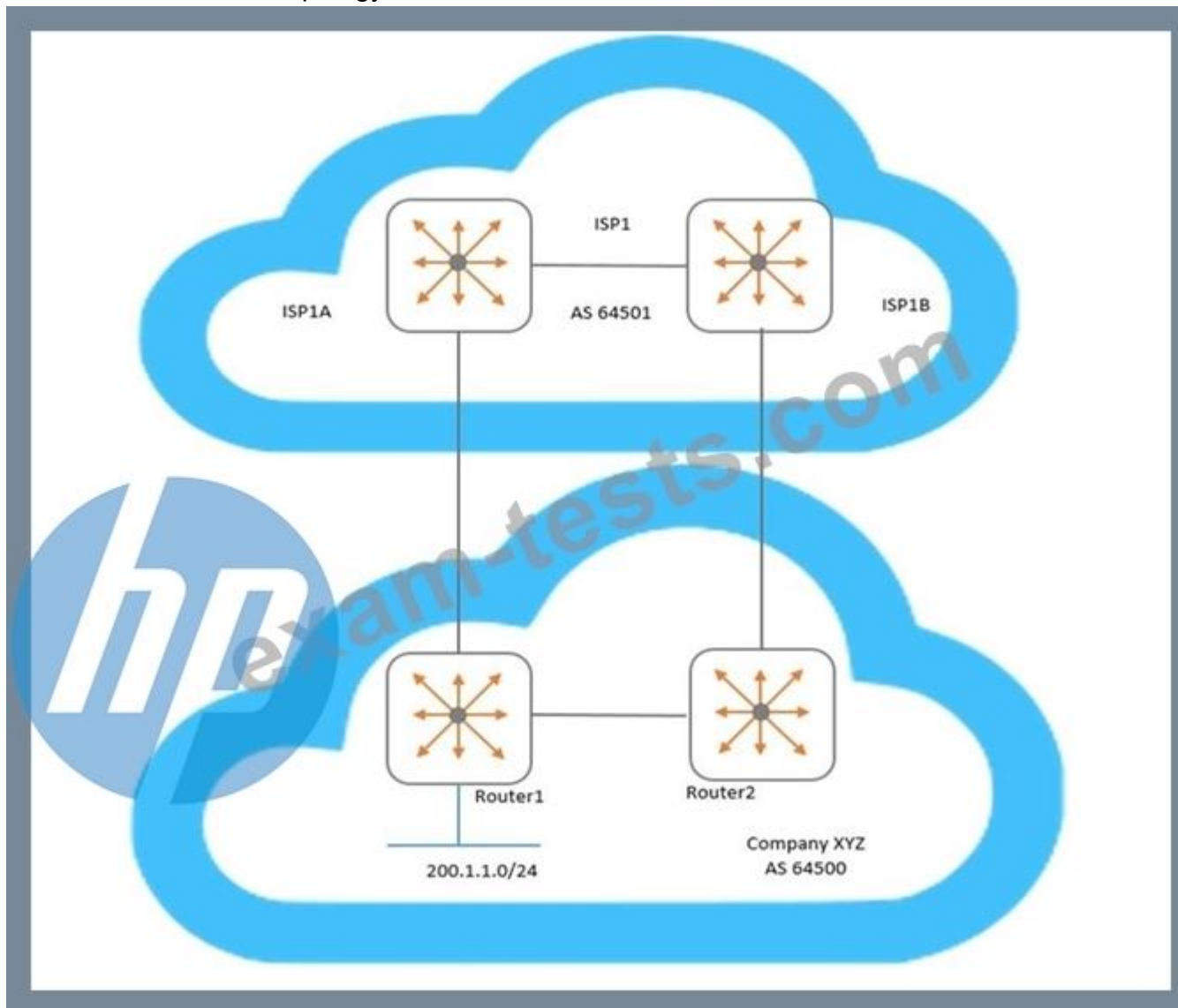
What is correct regarding the operation of VSX and multicasting with PIM-SM routing configured?

- A.** Each VSX peers runs PIM and builds its own group database. One of the VSX peers is elected as the designated router (DR) to forward multicast streams to a receiver VLAN
- B.** Each VSX peers runs PIM and creates a shared group database. Both VSX peers can forward multicast streams to receivers in a VLAN, achieving load sharing
- C.** Each VSX peers runs PIM and creates a shared group database. One of the VSX peers is elected as the designated router (DR) to forward multicast streams to a receiver VLAN
- D.** Each VSX peers runs PIM and builds its own group database. Both VSX peers can forward multicast streams to receivers in a VLAN, achieving load sharing

Answer: A ([LEAVE A REPLY](#))

NEW QUESTION: 25

Examine the network topology.



Company XYZ has two connections to a service provider (ISP1). Here is the configuration of Router1:

```
Router1(config)# ip prefix-list AS64500-routes permit 200.1.1.0/24
Router1(config)# route-map To-AS64501 permit seq 10
Router1(config-route-map)# match ip address prefix-list AS64500-routes
Router1(config-route-map)# set metric 100
Router1(config-route-map)# exit
Router1(config)# router bgp 64500
Router1(config-bgp)# address-family ipv4 unicast
Router1(config-bgp-ipv4-uc)# neighbor 192.168.1.1 route-map To-AS64501 out
```

Here is the configuration of Router2:

```
Router2(config)# ip prefix-list AS64500-routes permit 200.1.1.0/24
Router2(config)# route-map To-AS64501 permit seq 10
Router2(config-route-map)# match ip address prefix-list AS64500-routes
Router2(config-route-map)# set metric 200
Router2(config-route-map)# exit
Router2(config)# router bgp 64500
Router2(config-bgp)# address-family ipv4 unicast
Router2(config-bgp-ipv4-uc)# neighbor 192.168.2.1 route-map To-AS64501 out
```

Based on configuration of Router1 and Router2, which BGP metric is being manipulated?

- A. Multiple exit discriminator
- B. Local preference
- C. Weight
- D. AS path length

Answer: A (LEAVE A REPLY)

NEW QUESTION: 26

A company has implemented 802.1X authentication on AOS-CX access switches, where two ClearPass servers are used to implement AAA. Each switch has the two servers defined. A network engineer notices the following command configured on the AOS-CX switches:

```
radius-server tracking user-name monitor password plaintext aruba123
```

What is the purpose of this configuration?

- A. Implement replay protection for AAA messages
- B. Define the account to implement downloadable user roles
- C. Speed up the AAA authentication process
- D. Define the account to implement change of authorization

Answer: D (LEAVE A REPLY)

Explanation

https://techhub.hpe.com/eginfolib/networking/docs/switches/K-KA-KB/16-01/5200-0122_access_security_guide/content/ch09s02.html

NEW QUESTION: 27

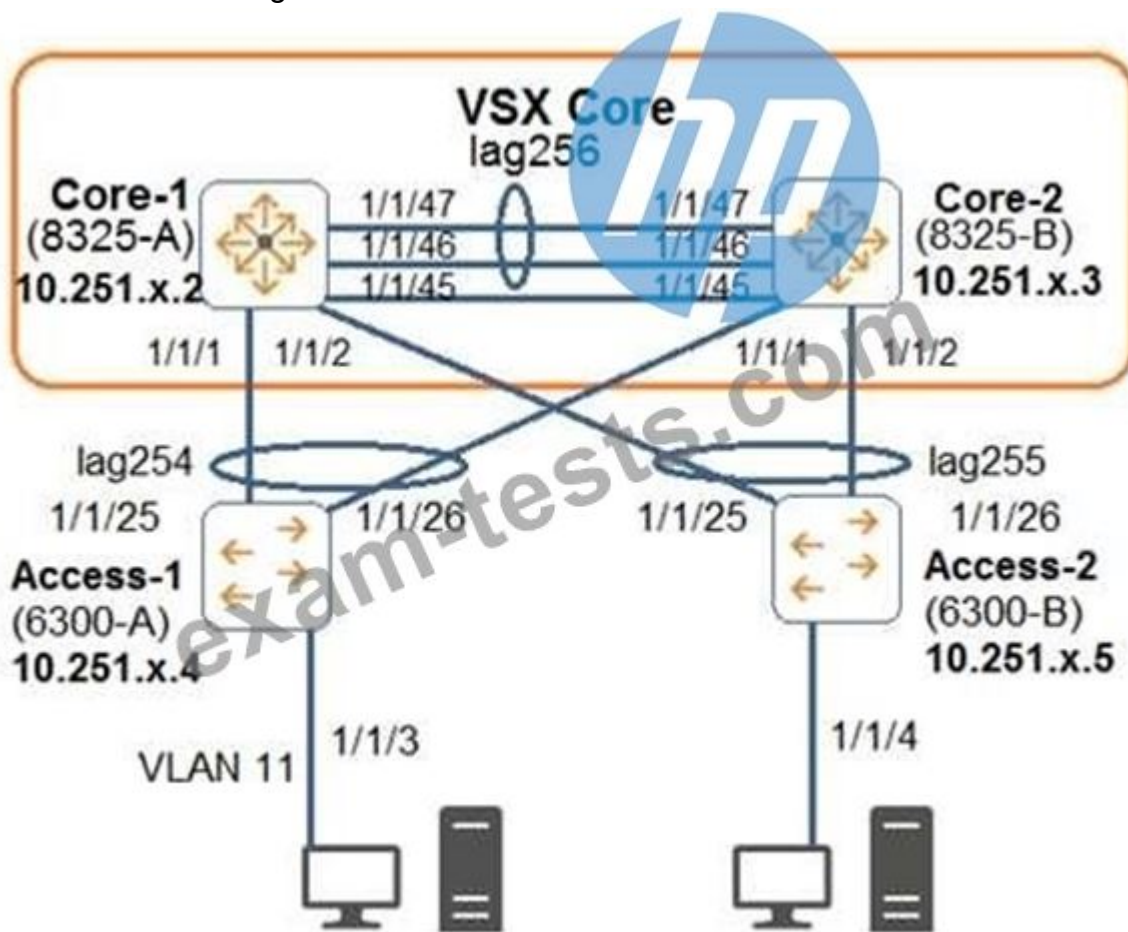
An administrator is implementing a downloadable user role solution involving AOS-CX switches. The AAA solution and the AOS-CX switches can successfully authenticate users; however, the role information fails to download to the switches. What policy should be added to an intermediate firewall to allow the downloadable role function to succeed?

- A. Allow UDP 8211
- B. Allow TCP 22
- C. Allow TCP 443
- D. Allow UDP 1811

Answer: A (LEAVE A REPLY)

NEW QUESTION: 28

Examine the attached diagram.



The two PCs are located in VLAN 11 (10.1.11.0/24). Which example defines how to implement active gateway on the VSX core for VLAN 11?

- A. vsx
vrrp group 1
- B. interface lag 254
active-gateway ip 10.1.11.1
active-gateway mac 02:02:00:00:01:00
- C. interface vlan 11
active-gateway ip 10.1.11.1

active-gateway mac 02:02:00:00:01:00

D. interface lag 254

active-gateway vlan 11 ip 10.1.11.1

active-gateway vlan 11 mac 02:02:00:00:01:00

Answer: C (LEAVE A REPLY)

NEW QUESTION: 29

Examine the AOS-CX switch output:

```
Switch# show aaa authentication port-access interface 1/1/1 client-status
```

```
Port Access Client Status Details
```

```
Client 00:50:56:b1:7a:37, icx-employee
```

```
Session Details
```

```
Port      : 1/1/3  
Session Time : 31273s
```

```
Authentication Details
```

```
Status      : dot1x Authenticated  
Auth Precedence : dot1x - Authenticated, mac-auth - Not attempted
```

```
Authorization Details
```

```
Role      : aruba_contractor-3044-7  
Status    : Applied
```



Based on this output, what is correct?

- A. 802 1X authentication occurred and downloadable user roles are deployed
- B. Only 802 1X authentication is configured on the port
- C. 802.1X authentication was successful, but MAC authentication is yet to start
- D. A local user role was deployed using a ClearPass solution

Answer: A (LEAVE A REPLY)

NEW QUESTION: 30

A network engineer is examining NAE graphs from the Dashboard but notices that the time shown in the graph does not represent the current time. The engineer verifies that the AOS-CX switch is configured for NTP and is successfully synchronized. What should be done to fix this issue?

- A. Ensure the engineer's PC is synchronized to the same NTP server as the AOS-CX switch
- B. Enable trust settings for the AOS-CX switch's SSL certificate
- C. Ensure the engineer's web browser is configured for the same timezone as the AOS-CX switch
- D. Ensure NetEdit and the AOS-CX switch are synchronized to the same NTP server

Answer: D (LEAVE A REPLY)

NEW QUESTION: 31

What is correct regarding policy-based routing?

- A. Policies can be applied inbound and outbound.
- B. Policy actions include routing permitting or dropping traffic.
- C. Monitoring of policy interfaces occurs every 60 seconds.
- D. Policies can only be applied to routed interfaces.

Answer: A (LEAVE A REPLY)

Valid HPE6-A73 Dumps shared by BraindumpsPass.com for Helping Passing HPE6-A73 Exam!

BraindumpsPass.com now offer the **newest HPE6-A73 exam dumps**, the BraindumpsPass.com HPE6-A73 exam **questions have been updated** and **answers have been corrected** get the **newest** BraindumpsPass.com HPE6-A73 dumps with Test Engine here: <https://www.braindumpspass.com/HP/HPE6-A73-practice-exam-dumps.html> (130 Q&As Dumps, **40%OFF Special Discount: Exam-Tests**)

NEW QUESTION: 32

An administrator wants to use an existing Aruba gateway's firewall policies to filter both wireless and wired traffic. Which AOS-CX switch feature should a customer implement to ensure the gateway applies the same or similar firewall policies to users' wired and wireless traffic?

- A. Port-based tunneling
- B. User-based tunneling
- C. IPSec tunneling
- D. GRE tunneling

Answer: (SHOW ANSWER)

NEW QUESTION: 33

How does PIM build the IP multicast routing table to route traffic between a multicast source and one or more receivers?

- A. It uses the unicast routing table and reverse path forwarding (RPF)
- B. It uses IGMP and calculates a shortest path tree (SPT)
- C. It uses the shortest path first (SPF) algorithm derived from link state protocols
- D. It uses the Bellman-Ford algorithm derived from distance vector protocols

Answer: A (LEAVE A REPLY)

"PIM also relies on the unicast routing tables to identify the path back to a multicast source. This routing method is known as reverse path forwarding (RPF). The unicast routing protocols create the unicast routing tables. With this information, PIM sets up the distribution tree for the multicast traffic.

NEW QUESTION: 34

An administrator is looking for a data center switching solution that will greatly reduce the likelihood of dropped frames when uplink congestion is experienced. Which AOS-CX switch queuing feature meets the administrator's needs?

- A. DWWR
- B. FIFO
- C. VOQ
- D. WFQ

Answer: ([SHOW ANSWER](#))

NEW QUESTION: 35

An AOS-CX switch is configured to implement downloadable user roles. Examine the AOS-CX switch output:

```
access (config)# show aaa authentication port-access interface all client-status
```

```
Port Access Client Status Details
```

```
Client 00:50:56:b1:7a:37
```

```
-----  
Session Details
```

```
-----  
Port : 1/1/3
```

```
Session Time : 1887s
```

```
-----  
Authentication Details
```

```
-----  
Status : mac-auth Authenticated
```

```
Auth Precedence : dot1x - Not attempted, mac-auth - Authenticated
```

```
-----  
Authorization Details
```

```
-----  
Role :
```

```
Status : Not ready
```

Based on this output, what is the state of the user's access?

- A. No downloadable user role exists
- B. MAC authentication has passed, but 802.1X authentication is in progress
- C. The RADIUS request timed out to the AAA server
- D. The port should be configured for 802.1X

Answer: A ([LEAVE A REPLY](#))

User role "Authenticated" was passed down but does not exist

NEW QUESTION: 36

An AOS-CX switch is configured to implement downloadable user roles. Examine the AOS-CX switch output:

access (config)# show aaa authentication port-access interface all client-status

Port Access Client Status Details

Client 00:50:56:b1:7a:37

Session Details

Port : 1/1/3
Session Time : 1887s

Authentication Details

Status : mac-auth Authenticated
Auth Precedence : dot1x - Not attempted, mac-auth - Authenticated

Authorization Details

Role :
Static : Not ready

Based on this output, what is the state of the user's access?

- A. No downloadable user role exists
- B. The RADIUS request timed out to the AAA server
- C. The port should be configured for 802.1X
- D. MAC authentication has passed, but 802.1X authentication is in progress

Answer: C (LEAVE A REPLY)

NEW QUESTION: 37

An administrator has an AOS-CX switch configured with:

```
router ospf 1
 area 0
 area 1 stub no-summary
```

It is the only ABR for area 1. The switch has the appropriate adjacencies to routing switches in areas 0 and 1. The current routes in each area are:

Area 0: 5 routes (LSA Type 1 and 2)
Area 1: 10 routes (LSA Type 1 and 2)
External routes: 2 (LSA Type 5)

Based on the above configuration, how many OSPF routes will routing switches see in Area 1?

- A. 15
- B. 12
- C. 6
- D. 11

Answer: D (LEAVE A REPLY)

NEW QUESTION: 38

A network administrator needs to replace an antiquated access layer solution with a modular solution involving AOS-CX switches. The administrator wants to leverage virtual switching technologies. The solution needs to support high-availability with dual-control planes. Which solution should the administrator implement?

- A. AOS-CX 6400
- B. AOS-CX 8325
- C. AOS-CX S400
- D. AOS-CX 6300

Answer: A ([LEAVE A REPLY](#))

NEW QUESTION: 39

Examine the configuration performed on newly deployed AOS-CX switches:

```
Switch(config)# radius-server host cppm key plaintext aruba123 vrf mgmt
Switch(config)# aaa authentication port-access dot1x authenticator radius server-group cppm
Switch(config)# aaa authentication port-access dot1x authenticator enable
Switch(config)# interface 1/1/1 – 1/1/48
Switch(config-if)# aaa authentication port-access dot1x authenticator
Switch(config-if-dot1x-auth)# enable
Switch(config-if-dot1x-auth)# exit
Switch(config-if)# exit
```

After performing this configuration, the administrator notices that the switch ports always remain in the EAP start state. What should the administrator do to fix this problem?

- A. Set the ports to client-mode
- B. Create and assign a local user role to the ports
- C. Define the server group cppm
- D. Enable change of authorization (CoA)

Answer: D ([LEAVE A REPLY](#))

NEW QUESTION: 40

What is correct regarding policy-based routing?

- A. Policy actions include routing permitting or dropping traffic.
- B. Policies can only be applied to routed interfaces.
- C. Policies can be applied inbound and outbound.
- D. Monitoring of policy interfaces occurs every 60 seconds.

Answer: B ([LEAVE A REPLY](#))

NEW QUESTION: 41

What is correct regarding rate limiting and egress queue shaping on AOS-CX switches'?

- A. Rate limiting and egress queue shaping can be used to restrict inbound traffic.
- B. Rate limiting and egress queue shaping can be applied globally .
- C. Only a traffic rate and burst size can be defined for a queue
- D. Limits can be defined only for broadcast and multicast traffic

Answer: ([SHOW ANSWER](#))

NEW QUESTION: 42

An administrator of a company has concerns about upgrading the access layer switches The users rely heavily on wireless and VoIP telephony Which is the best recommendation to ensure a short downtime for the users during upgrading the access layer switches?

- A. Install the in-service software upgrade (ISSU) feature with clustering enabled
- B. Implement VSF on the AOS-CX access switches
- C. Implement VSX on the AOS-CX access switches

D. install AOS-CX 6300 or 6400 switches with always-on POE.

Answer: D (LEAVE A REPLY)

NEW QUESTION: 43

What is correct regarding multicasting and AOS-CX switches?

- A. IGMP snooping is disabled, by default, on Layer-2 VLAN interfaces
- B. IGMP-enabled AOS-CX switches flood unknown multicast destinations
- C. IGMP snooping is enabled, by default, on Layer-3 VLAN interfaces
- D. IGMP query functions are enabled, by default, on Layer-2 VLAN interfaces

Answer: A (LEAVE A REPLY)

NEW QUESTION: 44

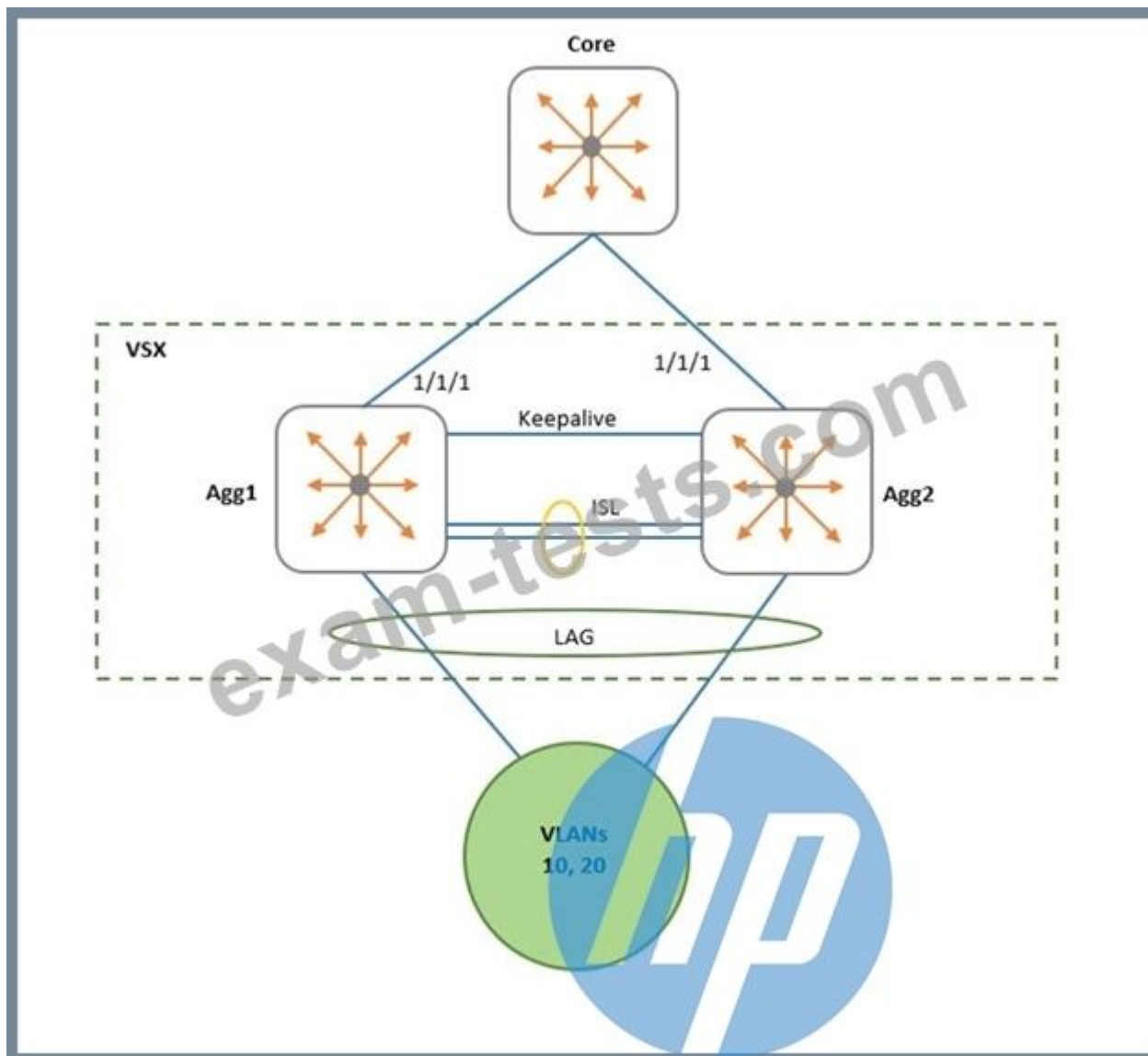
A network administrator is attempting to troubleshoot a connectivity issue between a group of users and a particular server. The administrator needs to examine the packets over a period of time from their desktop, however, the administrator is not directly connected to the AOS-CX switch involved with the traffic flow. What is correct regarding the ERSPAN session that needs to be established on an AOS-CX switch? (Select two)

- A. On the source AOS-CX switch, the destination specified is the administrator's desktop
- B. The encapsulation protocol is UDP
- C. The encapsulation protocol used is GRE
- D. On the source AOS-CX switch, the destination specified is the switch to which the administrator's desktop is connected.
- E. The encapsulation protocol used is VXLAN

Answer: C,D (LEAVE A REPLY)

NEW QUESTION: 45

Examine the network exhibit.



A network administrator is implementing OSPF on a VSX pair of aggregation switches: Agg1 and Agg2. VLANs 10 and 20 are connected to layer-2 access switches. Agg-1 and Agg-2 are configured as the default gateway for VLANs 10 and 20, with active gateway enabled.

What is the best practice for configuring OSPF on the aggregation switches and their connection to the Core switch?

- A. Define a layer-2 VSX LAG associated with a layer-3 VLAN interface. Enable active forwarding for the Layer-3 VLAN.
- B. Define separate layer-3 VLAN interfaces between the aggregation and core switches. Enable active forwarding for the Layer-3 VLAN.
- C. Define a layer-2 VSX LAG associated with a layer-3 VLAN interface. Enable active gateway for the Layer-3 VLAN.
- D. Define separate layer-3 VLAN interfaces between the aggregation and core switches. Enable active gateway for the Layer-3 VLAN.

Answer: (SHOW ANSWER)

NEW QUESTION: 46

An AOS-CX switch is configured to implement downloadable user roles. Examine the AOS-CX switch output:

Access11config i\$ show aaa authentication port-access interface ail client-status Port Access Client Status
Details

Port Access Client Status Details

Client 00:50:56:b1:7a:37

Session Details

Port : 1/1/3

Session Time : 1887s

Authentication Details

Status : mac-auth Authenticated

Auth Precedence : dot1x - Not attempted, mac-auth - Authenticated

Authorization Details

Role :

Status : Not ready

Based on this output what is the state of the users access'?

- A. The RADIUS request timed out to the AAA server
- B. MAC authentication has passed, but 802 1X authentication is in progress
- C. No downloadable user role exists
- D. The port should be configured for 802 1X

Answer: C (LEAVE A REPLY)

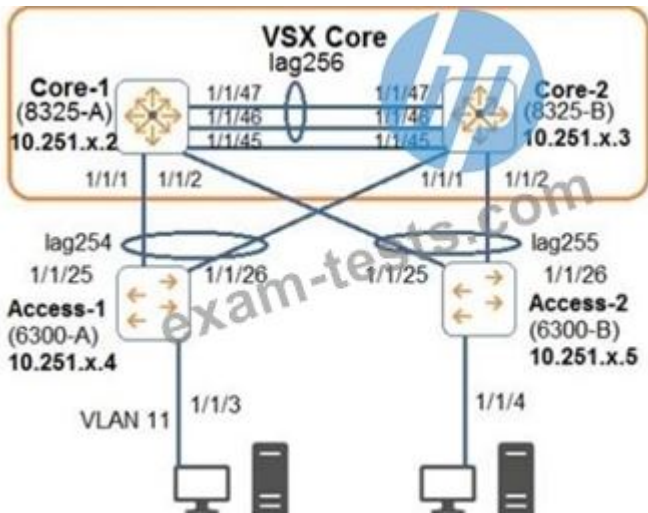
Valid HPE6-A73 Dumps shared by BraindumpsPass.com for Helping Passing HPE6-A73 Exam!

BraindumpsPass.com now offer the **newest HPE6-A73 exam dumps**, the BraindumpsPass.com HPE6-A73 exam **questions have been updated** and **answers have been corrected** get the **newest**

BraindumpsPass.com HPE6-A73 dumps with Test Engine here: <https://www.braindumpspass.com/HP/HPE6-A73-practice-exam-dumps.html> (130 Q&As Dumps, **40%OFF** Special Discount: **Exam-Tests**)

NEW QUESTION: 47

Examine the attached diagram.



The two PCs are located in VLAN 11 (10.1.11.0/24). Which example defines how to implement active gateway on the VSX core for VLAN 11?

- A.** interface lag 254
active-gateway ip 10.1.11.1
active-gateway mac 02:02:00:00:01:00
- B.** vsx
vrrp group 1
- C.** interface vlan 11
active-gateway ip 10.1.11.1
active-gateway mac 02:02:00:00:01:00
- D.** interface lag 254
active-gateway vlan 11 ip 10.1.11.1
active-gateway vlan 11 mac 02:02:00:00:01:00

Answer: C (LEAVE A REPLY)

NEW QUESTION: 48

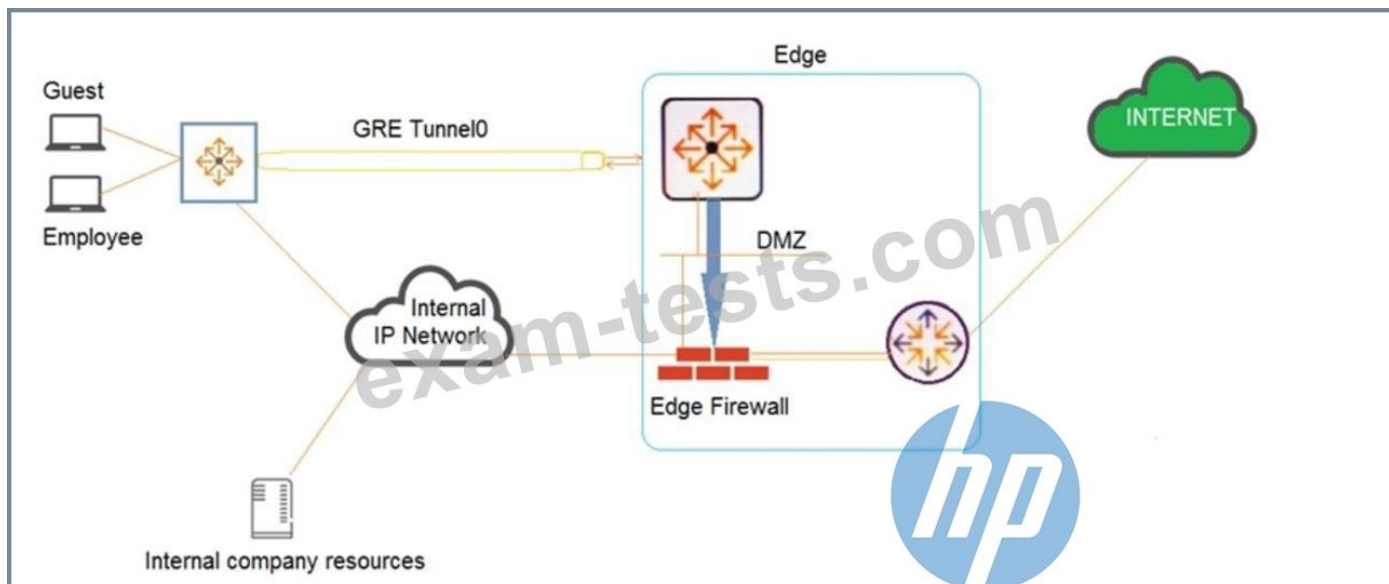
An administrator creates an ACL rule with both the "count" and "log" option enabled. What is correct about the action taken by an AOS-CX switch when there is a match on this rule?

- A.** The total in the "log" record and the count could contain different rule matching statistics
- B.** Logging will not include certificate and TLS events but counting will
- C.** By default a summarized log is created every minute with a count of the number of matches.
- D.** The "count" and "log" options are processed by the AOS-CX switch hardware ASIC

Answer: D (LEAVE A REPLY)

NEW QUESTION: 49

Examine the network exhibit.



A company has a guest implementation for wireless and wired access. Wireless access is implemented through a third-party vendor. The company is concerned about wired guest traffic traversing the same network as the employee traffic. The network administrator has established a GRE tunnel between AOS-CX switches where guests are connected to a routing switch in the DMZ.

Which feature should the administrator implement to ensure that the guest traffic is tunneled to the DMZ while the employee traffic is forwarded using OSPF?

- A. Classifier policies
- B. User-based tunneling (UBT)
- C. Policy-based routing (PBR)
- D. OSPF route maps using the "set metric" command

Answer: C (LEAVE A REPLY)

NEW QUESTION: 50

Examine the following ACL rule policies:

Permit traffic from 10.2.2.1 through 10.2.2.30 to anywhere

Permit traffic from 10.2.2.40 through 10.2.2.55 to anywhere

Deny all others

Based on this policy, place the following ACL rule statements in the correct order to accomplish the above filtering policy.

- A. deny ip 10.2.2.31 255.255.255.255 any
- permit ip 10.2.2.40 255.255.255.248 any
- permit ip 10.2.2.48 255.255.255.248 any
- deny ip 10.2.2.32 255.255.255.224 any
- permit ip 10.2.2.0 255.255.255.192 any
- B. deny ip 10.2.2.31 255.255.255.255 any
- permit ip 10.2.2.40 255.255.255.248 any
- deny ip 10.2.2.32 255.255.255.224 any
- permit ip 10.2.2.48 255.255.255.248 any
- permit ip 10.2.2.0 255.255.255.192 any

C. deny ip 10.2.2.31 255.255.255.255 any
deny ip 10.2.2.32 255.255.255.224 any
permit ip 10.2.2.40 255.255.255.248 any
permit ip 10.2.2.48 255.255.255.248 any
permit ip 10.2.2.0 255.255.255.192 any

D. permit ip 10.2.2.40 255.255.255.248 any
permit ip 10.2.2.48 255.255.255.248 any
permit ip 10.2.2.0 255.255.255.192 any
deny ip 10.2.2.31 255.255.255.255 any
deny ip 10.2.2.32 255.255.255.224 any

Answer: ([SHOW ANSWER](#))

NEW QUESTION: 51

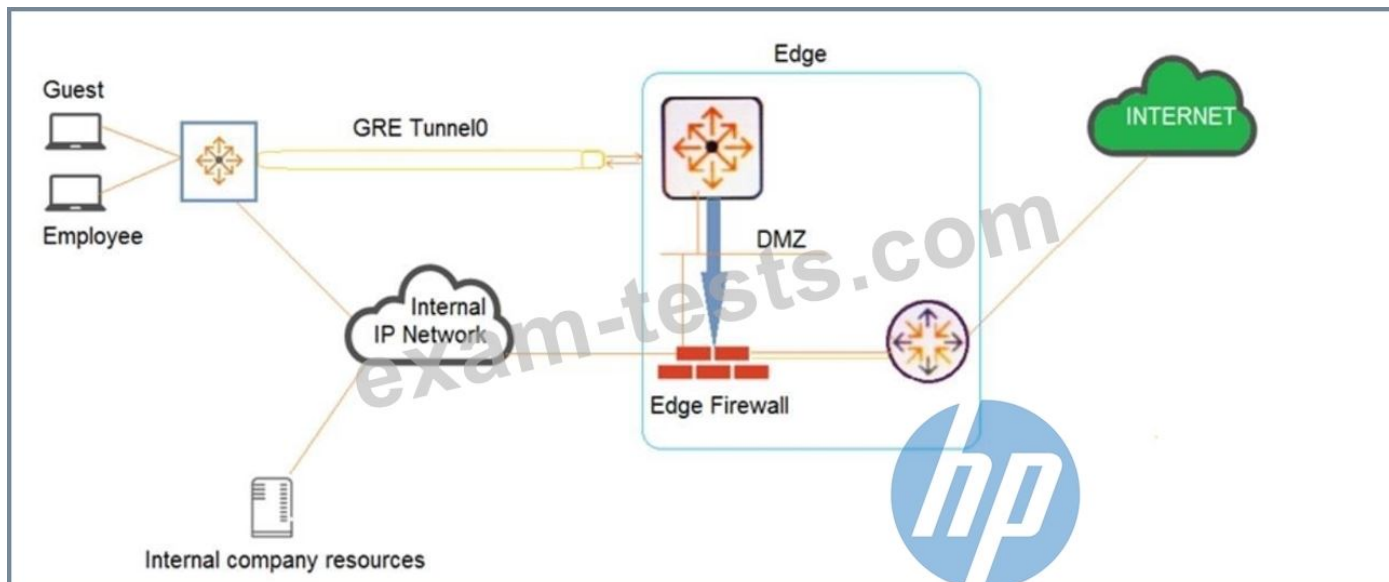
Which protocols are used by NetEdit to interact with third-party devices? (Select two)

- A. CDP
- B. SNMP
- C. telnet
- D. SSH
- E. Restful API

Answer: ([SHOW ANSWER](#))

NEW QUESTION: 52

Examine the network exhibit.



A company has a guest implementation for wireless and wired access. Wireless access is implemented through a third-party vendor. The company is concerned about wired guest traffic traversing the same network as the employee traffic. The network administrator has established a GRE tunnel between AOS-CX switches where guests are connected to a routing switch in the DMZ.

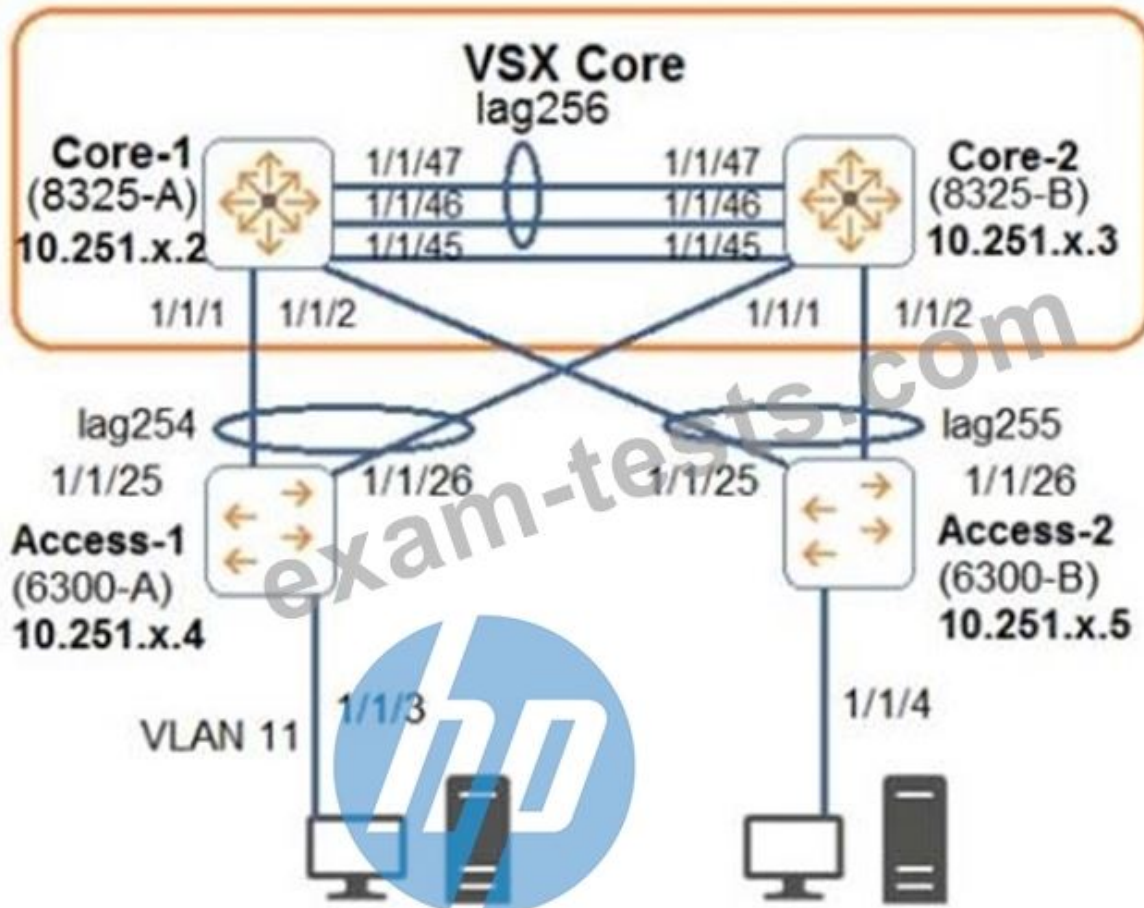
Which feature should the administrator implement to ensure that the guest traffic is tunneled to the DMZ while the employee traffic is forwarded using OSPF?

- A. Policy-based routing (PBR)
- B. User-based tunneling (UBT)
- C. Classifier policies
- D. OSPF route maps using the "set metric" command

Answer: [\(SHOW ANSWER\)](#)

NEW QUESTION: 53

Examine the attached diagram.



The two PCs are located in VLAN 11 (10.1.11.0/24). Which example defines how to implement active gateway on the VSX core for VLAN 11?

- A. interface lag 254
active-gateway vlan 11 ip 10.1.11.1
active-gateway vlan 11 mac 02:02:00:00:01:00
- B. interface lag 254
active-gateway ip 10.1.11.1
active-gateway mac 02:02:00:00:01:00
- C. interface vlan 11
active-gateway ip 10.1.11.1
active-gateway mac 02:02:00:00:01:00
- D. vsx
vrrp group 1

Answer: C (LEAVE A REPLY)

NEW QUESTION: 54

A company requires access by all users guests, and employees to be authenticated Employees will be authenticated using 802 1X. whereas guests will be authenticated using captive portal Which type of authentication must be configured on an AOS-CX switch ports where both guests and employees connect?

- A. 802 1X only
- B. 802.1X, captive portal, and MAC-Auth
- C. Both 802 1X and MAC-Auth
- D. Both 802.1X and captive portal

Answer: C (LEAVE A REPLY)

NEW QUESTION: 55

An administrator is configuring BGP and has two connections to a service provider to two different local routers. Which BGP metric should the administrator configure to influence which local router the service provider will use to reach certain routes?

- A. Local preference
- B. Weight
- C. Origin
- D. Multiple exit discriminator

Answer: D (LEAVE A REPLY)

NEW QUESTION: 56

A company requires access by all users, guests, and employees to be authenticated. Employees will be authenticated using 802.1X, whereas guests will be authenticated using captive portal. Which type of authentication must be configured on an AOS-CX switch ports where both guests and employees connect?

- A. Both 802.1X and captive portal
- B. 802.1X only
- C. Both 802.1X and MAC-Auth
- D. 802.1X, captive portal, and MAC-Auth

Answer: C (LEAVE A REPLY)

Employees use 802.1x

The Aruba guest solution uses MAC-auth.

The Portal is not configured on the switch port.

NEW QUESTION: 57

A company has implemented 802.1X authentication on AOS-CX access switches, where two ClearPass servers are used to implement AAA. Each switch has the two servers defined. A network engineer notices the following command configured on the AOS-CX switches:

```
radius-server tracking user-name monitor password plaintext aruba123
```

What is the purpose of this configuration?

- A. Implement replay protection for AAA messages
- B. Define the account to implement downloadable user roles
- C. Speed up the AAA authentication process
- D. Define the account to implement change of authorization

Answer: C (LEAVE A REPLY)

Radius service tracking locates the availability of the RADIUS service configured on the switch. It helps to minimize the waiting period for new clients in the unauth-vid (Guest Vlan) when authentication fails because of service is not available, as well as previously authenticated clients in unauth-vid (Guest Vlan) when re-authentication fails because service is not available during the re-authentication period. Note that this feature is disabled by default.

https://techhub.hp.com/eginfolib/networking/docs/switches/WB/16-02/5200-1650_WB_ASG/content/ch04s04.html

NEW QUESTION: 58

A network administrator is tasked to set up BGP in the company's network. The administrator is defining an eBGP peering between an AOS-CX switch and a directly-connected service provider. The administrator has configured the following on the AOS-CX switch:

```
switch(config)# interface loopback 0
switch(config-loopback-if)# ip address 10.1.1.1/32
switch(config-loopback-if)# exit
switch(config)# interface 1/1/1
switch(config-if)# no shutdown
switch(config-if)# routing
switch(config-if)# ip address 192.168.1.2/30
switch(config-if)# exit
switch(config)# router bgp 64500
switch(config-bgp)# neighbor 192.168.1.1 remote-as 64511
switch(config-bgp)# bgp router-id 192.168.1.2
switch(config-bgp)# address-family ipv4 unicast
switch(config-bgp-ipv4-uc)# exit
```

However, when using the "show bgp all summary" command, the state does not display "Established" for the eBGP peer. What must the administrator configure to fix this issue?

- A. router bgp 64500 neighbor 192.168.1.1 update-source loopback0
- B. router bgp 64500 neighbor 192.168.1.1 ebgp-multihop
- C. router bgp 64500 address-family ipv4 unicast neighbor 192.168.1.1 activate
- D. router bgp 64500 enable

Answer: (SHOW ANSWER)

NEW QUESTION: 59

What is a concept associated with PIM sparse mode (SM)?

- A. Reverts to forwarding when the pruning state times out.
- B. Requires periodic joins to maintain the shortest path tree (SPT).
- C. Recommended for use when high bandwidth connections exist.
- D. Implements a push content to forward traffic from the multicast source.

Answer: B (LEAVE A REPLY)

<https://www.youtube.com/watch?v=PhzMtUcS6UA>

NEW QUESTION: 60

Which concept is implemented using Aruba's dynamic segmentation?

- A. Root of trust
- B. Device fingerprinting
- C. Zero Touch Provisioning
- D. Colorless port

Answer: (SHOW ANSWER)

Explanation/Reference:

NEW QUESTION: 61

A network engineer for a company with 012 users across a multi-building campus wants to gather statistics on an important switch uplink and create actions based on issues that occur on the uplink. How often does an NAE agent gather information from the current state database in regard to the uplink interfaces?

- A. Once every 5 seconds
- B. Once every 60 seconds
- C. Once every 1 second
- D. Once every 30 seconds

Answer: (SHOW ANSWER)

Valid HPE6-A73 Dumps shared by BraindumpsPass.com for Helping Passing HPE6-A73 Exam!

BraindumpsPass.com now offer the **newest HPE6-A73 exam dumps**, the BraindumpsPass.com HPE6-A73 exam **questions have been updated** and **answers have been corrected** get the **newest**

BraindumpsPass.com HPE6-A73 dumps with Test Engine here: <https://www.braindumpspass.com/HP/HPE6-A73-practice-exam-dumps.html> (130 Q&As Dumps, **40%OFF Special Discount: Exam-Tests**)

NEW QUESTION: 62

A network administrator is managing a network that deploys a multicast service. The administrator has multiple streams successfully being routed by PIM-DM in the network. The administrator then adds a new stream with a destination address of 239.0.0.1. However, clients who have not joined the stream are receiving it.

What should the administrator do to fix this problem?

- A. Define the 239.0.0.1 stream on the rendezvous point (RP)
- B. Define the 239.0.0.1 stream on the PIM candidate bootstrap router
- C. Verify that IGMP is enabled between the switches connecting the multicast source and receivers
- D. Change the destination multicast address to 239.1.1.1

Answer: D (LEAVE A REPLY)

NEW QUESTION: 63

What is correct regarding the operation of VSX and multicasting with PIM-SM routing configured?

- A. Each VSX peers runs PIM and builds its own group database One of the VSX peers is elected as the designated router (DR) to forward multicast streams to a receiver VLAN
- B. Each VSX peers runs PIM and builds its own group database Both VSX peers can forward multicast streams to receivers in a VLAN achieving load sharing.
- C. Each VSX peers runs PIM and creates a shared group database. Both VSX peers can forward multicast streams to receivers in a VLAN, achieving load sharing.
- D. Each VSX peers runs PIM and creates a shared group database. One of the VSX peers is elected as the designated router (DR) to forward multicast streams to a receiver VLAN.

Answer: D (LEAVE A REPLY)

NEW QUESTION: 64

A network administrator is managing a network that deploys a multicast service. The administrator has multiple streams successfully being routed by PIM-DM in the network. The administrator then adds a new stream with a destination address of 239.0.0.1. However, clients who have not joined the stream are receiving it.

What should the administrator do to fix this problem?

- A. Verify that IGMP is enabled between the switches connecting the multicast source and receivers
- B. Define the 239.0.0.1 stream on the rendezvous point (RP)
- C. Change the destination multicast address to 239.1.1.1
- D. Define the 239.0.0.1 stream on the PIM candidate bootstrap router

Answer: B (LEAVE A REPLY)

NEW QUESTION: 65

A network engineer is setting up BGP on AOS-CX switches. The engineer is establishing two different eBGP peering's to two different service providers. The engineer has dozens of contiguous C-class public networks that need to be advertised to the two service providers. The engineer manually defines the networks to be advertised individually with the "network" command.

How can an administrator advertise only a summarized route to the two service providers?

- A. Create a summarized static route and redistribute this into OSPR
- B. Create a summarized route in OSPF
- C. Summarize the networks with the "aggregate-address" BGP command
- D. Enable auto-summarization in the IPv4 address family of the BGP configuration

Answer: C (LEAVE A REPLY)

NEW QUESTION: 66

Which protocol should be configured to allow NetEdit to discover third-party devices?

- A. HTTPS
- B. HTTP
- C. SNMP
- D. SSH

Answer: C (LEAVE A REPLY)

NEW QUESTION: 67

A customer has twenty AOS-CX switches that will be managed by NetEdit and would like support for NetEdit these switches will exist in the network for at least five years.

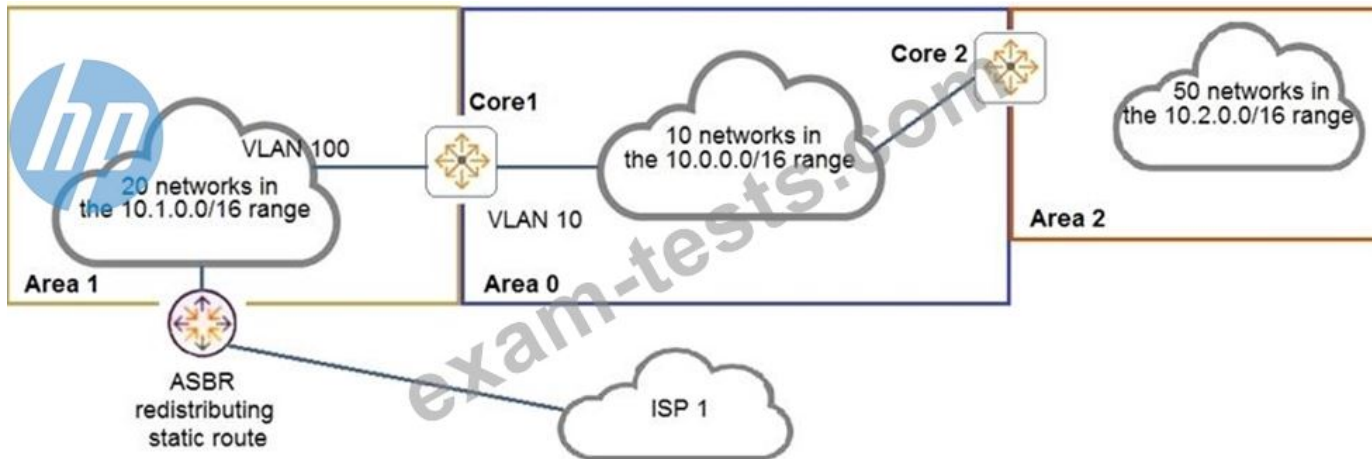
Which type of licensing should be used by this customer?

- A. 1 Aruba NetEdit SMB License
- B. 20 Aruba NetEdit permanent licenses
- C. 25 Aruba NetEdit permanent licenses
- D. 20 Aruba NetEdit single node subscription licenses

Answer: (SHOW ANSWER)

NEW QUESTION: 68

Examine the network topology.



The network is configured for OSPF with the following attributes:

⋮

Here is the OSPF configuration performed on Core1:

```

router ospf 1
  router-id 10.0.0.1
  area 0.0.0.0
  area 0.0.0.1 stub
  area 0.0.0.1 range 10.1.0.0/16 type inter-area
  area 0.0.0.2
  area 0.0.0.0 range 10.1.0.0/16 type inter-area
  exit
interface vlan 10
  ip ospf 1 area 0
  exit
interface vlan 100
  ip ospf 1 area 1
  exit

```



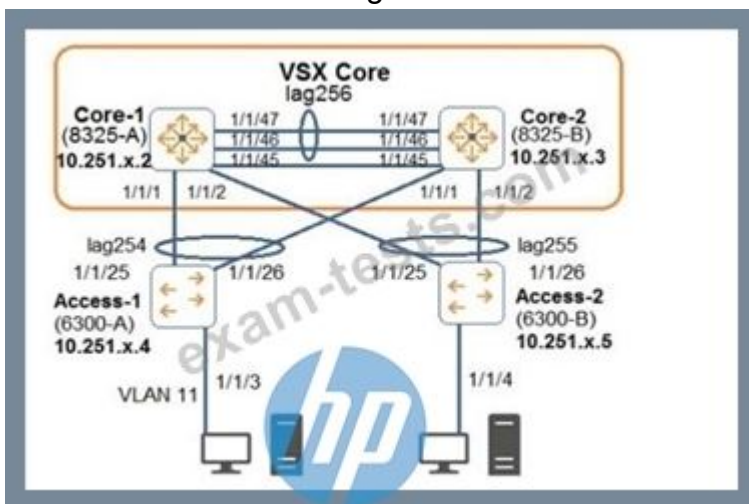
Based on the above information, what is correct?

- A. Area 0 has 81 routes
- B. Core1 has received one type 5 LSA from the ASBR.
- C. Area 1 has 23 routes
- D. ISP 1 is not reachable from any area.

Answer: A ([LEAVE A REPLY](#))

NEW QUESTION: 69

Examine the attached diagram.



The two PCs are located in VLAN 11 (10.1.11.0/24). Which example defines how to implement active gateway on the VSX core for VLAN 11?

- A. interface lag 254
 - active-gateway ip 10.1.11.1
 - active-gateway mac 02:02:00:00:01:00

B. interface vlan 11

active-gateway ip 10.1.11.1

active-gateway mac 02:02:00:00:01:00

C. interface lag 254

active-gateway vlan 11 ip 10.1.11.1

active-gateway vlan 11 mac 02:02:00:00:01:00

D. vsx

vrrp group 1

Answer: ([SHOW ANSWER](#))

NEW QUESTION: 70

A company is implementing a new wireless design and needs it to support high availability even during times of switch system upgrades. The solution will involve Aruba Mobility Controller (MC) and Aruba AP connections requiring POE Which campus AOS-CX switch solution and virtual switching should the company implement at the campus access layer?

A. AOS-CX 8400 and VSX

B. AOS-CX 8325 and VSF

C. AOS-CX 6300 and VSF

D. AOS-CX 6400 and VSX

Answer: ([SHOW ANSWER](#))

NEW QUESTION: 71

An administrator wants to track what configuration changes were made on a switch What should the administrator implement to see the configuration changes on an AOS-CX switch?

A. VSX synchronization logging

B. AAA authorization

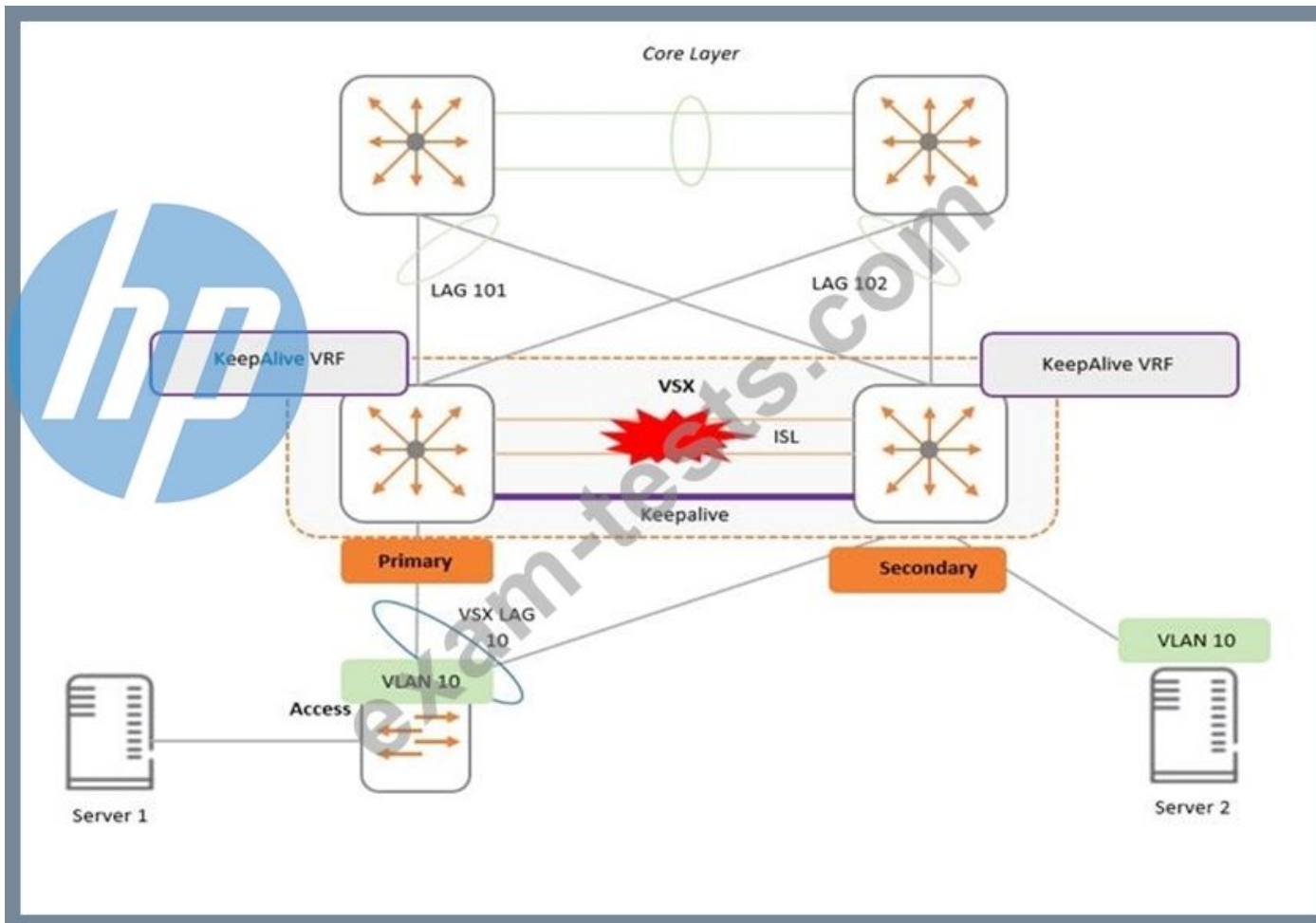
C. Network Analysis Engine (NAE)

D. AAA authentication

Answer: **C** ([LEAVE A REPLY](#))

NEW QUESTION: 72

Examine the attached diagram



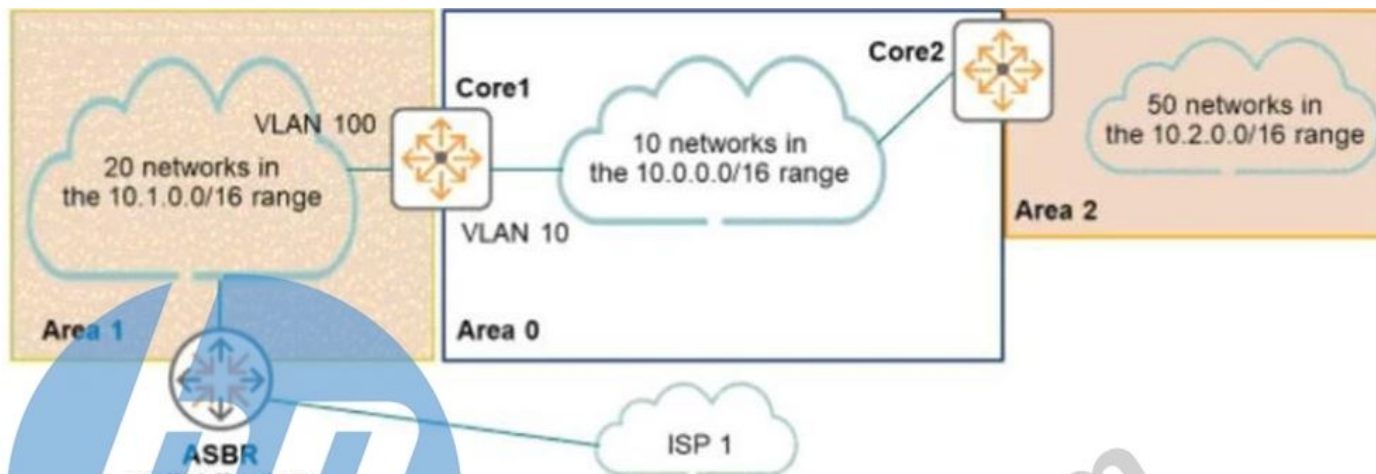
Two AOS-CX switches are configured for VSX at the access layer, where servers attached to them. An SVI interface is configured for VLAN 10 and serves as the default gateway for VLAN 10. The ISL link between the switches fails, but the keepalive interface functions. Active gateway has been configured on the switches. What is correct about access from the servers to the Core?

- A. Server 2 cannot access the core layer.
- B. Server 1 and Server 2 can communicate with each other via the core layer.
- C. Server 2 can successfully access the core layer via the keepalive link.
- D. Server 1 can access the core layer via both uplinks.

Answer: B (LEAVE A REPLY)

NEW QUESTION: 73

Examine the network topology.



The network is configured for OSPF with the following attributes:

- * Core1 and Core2 and ABRs.
- * Area 1 has 20 networks in the 10.1.0.0/16 range
- * Area 0 has 10 networks in the 10.0.0.0/16 range
- * Area 2 has 50 networks in the 10.2.0.0/16 range
- * The ASBR is importing a static route into Area 1
- * Core2 has a summary for Area 2: area 0.0.0.2 range 10.2.0.0/16 type inter-area

Here is the OSPF configuration performed on Core1:

```
Core1(config)# router ospf 1
Core1(config-router)# router-id 10.0.0.1
Core1(config-router)# passive-interface default
Core1(config-router)# area 0.0.0.0
Core1(config-router)# area 0.0.0.1 stub
Core1(config-router)# area 0.0.0.1 range 10.1.0.0/16 type inter-area
Core1(config-router)# area 0.0.0.2
Core1(config-router)# area 0.0.0.0 range 10.0.0.0/16 type inter-area
Core1(config-router)# exit
Core1(config)# interface vlan 10
Core1(config-if)# ip address 10.0.1.1/24
Core1(config-if)# ip ospf 1 area 0
Core1(config-if)# exit
Core1(config)# interface vlan 100
Core1(config-if)# ip address 10.1.1.1/24
Core1(config-if)# ip ospf 1 area 1
Core1(config-if)# exit
```

Based on the above information, what is correct?

- A. Core1 has received one LSA Type 5 from the ASBR
- B. Area 0 has 13 routes.
- C. Area 1 has 23 routes
- D. Core1 has no OSPF routes.

Answer: B (LEAVE A REPLY)

NEW QUESTION: 74

A network has two AOS-CX switches connected to two different service providers. The administrator is concerned about bandwidth consumption on the service provider links and learned that the service providers were using the company as a transit AS.

Which feature should the administrator implement to prevent this situation?

- A. Configure a classifier policy to disable MED
- B. Configure the two switches as route reflectors
- C. Configure route maps and apply them to BGP
- D. Configure bi-directional forwarding detection on both switches

Answer: C (LEAVE A REPLY)

NEW QUESTION: 75

An administrator of a large campus network needs a solution that will provide root cause analytics to quickly identify problems so that they can quickly be fixed.

Which AOS-CX switch feature should the administrator utilize to help with root cause analytics?

- A. NetEdit
- B. VSX
- C. VoQ
- D. NAE

Answer: (SHOW ANSWER)

NEW QUESTION: 76

MAC authentication is enabled on port 1/1/27 of an AOS-CX switch. The following MAC addresses are defined on the AAA server:

* 88:3a:30:97:b6:00

* 00:50:56:b1:fc:9b

Examine the AOS-CX switch output:

```
SWITCH# show mac-address-table detail
MAC age-time          : 300 seconds
Number of MAC addresses : 10
```

MAC Address	VLAN	Type	Port	Age	Denied	never_ageout
20:4c:03:5f:98:02	1	dynamic	lag256	300	false	false
88:3a:30:97:b6:00	11	port-access-security	1/1/27	300	false	false
00:50:56:b1:fc:9b	11	port-access-security	1/1/27	300	true	false
02:02:00:00:12:00	11	dynamic	lag256	300	false	false
90:20:c2:bc:17:00	11	dynamic	lag256	300	false	false

Based on this information, what is true concerning port 1/1/27?

- A. Device-mode is enabled with a client limit of 1.
- B. Device-mode is enabled with a client limit of 2.

- C. Client-mode is enabled with a client limit of 1.
- D. Client-mode is enabled with a client limit of 2.

Answer: (SHOW ANSWER)

[https://www.arubanetworks.com/techdocs/AOS-CX/AOS-CX-CLI-](https://www.arubanetworks.com/techdocs/AOS-CX/AOS-CX-CLI-Bank/cli_6300-6400/Content/Chp_Port_acc/Port_acc_rol_cmds/aut-mod-fl-10.htm)

[Bank/cli_6300-6400/Content/Chp_Port_acc/Port_acc_rol_cmds/aut-mod-fl-10.htm](https://www.arubanetworks.com/techdocs/AOS-CX/AOS-CX-CLI-Bank/cli_6300-6400/Content/Chp_Port_acc/Port_acc_rol_cmds/aut-mod-fl-10.htm) client-mode = Selects client mode. In this mode, all clients connecting to the port are sent for authentication.

device-mode = Selects device mode. In this mode, only the first client connecting to the port is sent for authentication. Once this client is authenticated, the port is considered as open and all subsequent clients trying to connect on that port are not sent for authentication.

Valid HPE6-A73 Dumps shared by BraindumpsPass.com for Helping Passing HPE6-A73 Exam!

BraindumpsPass.com now offer the **newest HPE6-A73 exam dumps**, the BraindumpsPass.com HPE6-A73 exam **questions have been updated** and **answers have been corrected** get the **newest** BraindumpsPass.com HPE6-A73 dumps with Test Engine here: <https://www.braindumpspass.com/HP/HPE6-A73-practice-exam-dumps.html> (130 Q&As Dumps, **40%OFF** Special Discount: **Exam-Tests**)

NEW QUESTION: 77

How does PIM build the IP multicast routing table to route traffic between a multicast source and one or more receivers?

- A. It uses IGMP and calculates a shortest path tree (SPT).
- B. It uses the shortest path first (SPF) algorithm derived from link state protocols.
- C. It uses the Bellman-Ford algorithm derived from distance vector protocols
- D. It uses the unicast routing table and reverse path forwarding (RPF)

Answer: D (LEAVE A REPLY)

NEW QUESTION: 78

A network administrator is implementing NAE on AOS-CX switches. When attempting to create an agent on a particular switch, the agent appears in the NAE Agents panel with a red triangle error symbol and a status of "Unknown".

What is the cause of this issue?

- A. The RESTful API has not been enabled on the AOS-CX switch
- B. The number of scripts or agents has exceeded the hardware's capabilities
- C. The administrator does not have the appropriate credentials to interact with NAE
- D. A connectivity issue exists between NAE and the AOS-CX switch

Answer: D (LEAVE A REPLY)

NEW QUESTION: 79

Which statement is correct regarding ACLs and TCAM usage?

- A. Compression is automatically enabled for ASIC TCAMs on AOS-CX switches.

- B. Applying an ACL to a group of VLANs consumes the same resources as specific ACE entries
- C. Applying an ACL to a group of ports consumes the same resources as specific ACE entries
- D. Using object groups consumes the same resources as specific ACE entries.

Answer: C (LEAVE A REPLY)

NEW QUESTION: 80

The network is configured for OSPF with the following attributes:

Core1 and Core2 and ABRs

Area 1 has 20 networks in the 10.1.0.0/16 range

Area 0 has 10 networks in the 10.0.0.0/16 range

Area 2 has 50 networks in the 10.2.0.0/16 range

The ASBR is importing a static route into Area 1

Core2 has a summary for Area 2: area 0.0.0.2 range 10.2.0.0/16 type inter-area Here is the OSPF configuration performed on Core1:

```
Core1(config)# router ospf 1
Core1(config-router)# router-id 10.0.0.1
Core1(config-router)# passive-interface default
Core1(config-router)# area 0.0.0.0
Core1(config-router)# area 0.0.0.1 stub
Core1(config-router)# area 0.0.0.1 range 10.1.0.0/16 type inter-area
Core1(config-router)# area 0.0.0.2
Core1(config-router)# area 0.0.0.0 range 10.0.0.0/16 type inter-area
Core1(config-router)# exit
Core1(config)# interface vlan 10
Core1(config-if)# ip address 10.0.1.1/24
Core1(config-if)# ip ospf 1 area 0
Core1(config-if)# exit
Core1(config)# interface vlan 100
Core1(config-if)# ip address 10.1.1.1/24
Core1(config-if)# ip ospf 1 area 1
Core1(config-if)# exit
```

Based on the above information, what is correct?

- A. Area 0 has 13 routes
- B. Core1 has no OSPF routes
- C. Core1 has received one LSA Type 5 from the ASBR
- D. Area 1 has 23 routes

Answer: D (LEAVE A REPLY)

NEW QUESTION: 81

Examine the following AOS-CX switch configuration:

```
Switch(config-addgroup-ip)# object-group ip address servers
Switch(config-addgroup-ip)# 10.1.0.100
Switch(config-addgroup-ip)# 10.1.1.100
Switch(config-addgroup-ip)# exit
```

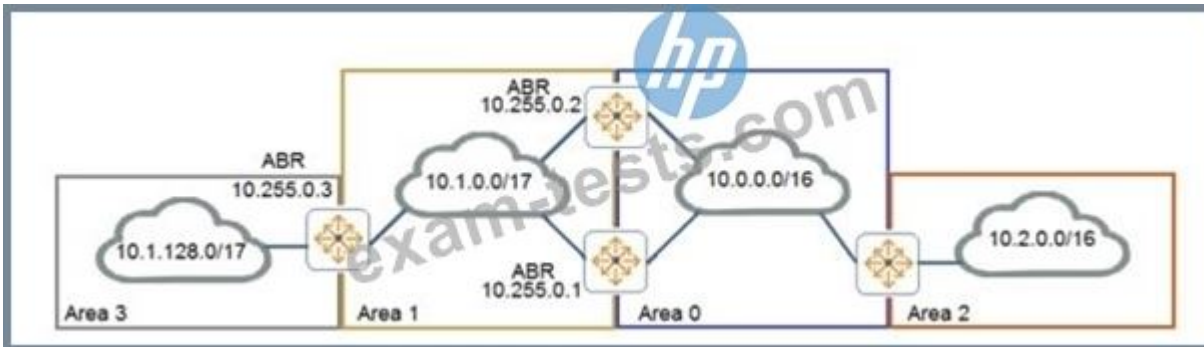
Which access control entries would allow web traffic to the web servers 10.1.0.100 and 10.1.1.100?

- A. permit tcp any 10.1.0.100/10.1.1.100 eq 80
- B. permit tcp any 10.1.0.100 0.0.1.0 eq 80
- C. permit tcp servers eq 80
- D. permit tcp any 10.1.0.100/255.255.254.255 eq 80

Answer: B (LEAVE A REPLY)

NEW QUESTION: 82

Examine the attached exhibit.



The network administrators is trying to add a remote location as area 3 to the network shown in the diagram. Based on current connection restrictions, the administrator cannot connect area 3 directly to area 0. The network is using AOS-CX switches.

Which feature should the administrator implement to provide connectivity to the remote location?

- A. Bidirectional forward detection (BFD)
- B. Virtual links
- C. OSPFv3
- D. Not-so-stubby areas

Answer: B (LEAVE A REPLY)

NEW QUESTION: 83

Examine the AOS-CS switch output:

Switch# show aaa authentication port-access interface 1/1/1 client-status

Port Access Client Status Details

Client 00:50:56:b1:7a:37, icx-employee

Session Details

Port : 1/1/3
Session Time : 31273s

Authentication Details

Status : dot1x Authenticated
Auth Precedence : dot1x - Authenticated, mac-auth - Not attempted

Authorization Details

Role : aruba_contractor-3044-7
Status : Applied



Based on this output, what is correct?

- A. Only 802.1X authentication is configured on the port
- B. 802.1X authentication occurred and downloadable user roles are deployed
- C. A local user role was deployed using a ClearPass solution
- D. 802.1X authentication was successful, but MAC authentication is yet to start

Answer: B (LEAVE A REPLY)

NEW QUESTION: 84

A network administrator is implementing NAE on AOS-CX switches. When attempting to create an agent on a particular switch, the agent appears in the NAE Agents panel with a red triangle error symbol and a status of "Unknown".

What is the cause of this issue?

- A. The administrator does not have the appropriate credentials to interact with NAE
- B. The number of scripts or agents has exceeded the hardware's capabilities
- C. A connectivity issue exists between NAE and the AOS-CX switch
- D. The RESTful API has not been enabled on the AOS-CX switch

Answer: C (LEAVE A REPLY)

Explanation

NEW QUESTION: 85

What would prevent two OSPF routers from forming an adjacency? (Select two.)

- A. Different area types
- B. Different priorities
- C. Different MTU sizes
- D. Different router IDs
- E. Different IP addresses

Answer: B,E (LEAVE A REPLY)

NEW QUESTION: 86

A company has implemented 802.1X authentication on AOS-CX access switches, where two ClearPass servers are used to implement AAA.

Each switch has the two servers defined. A network engineer notices the following command configured on the AOS-CX switches:

```
radius-server tracking user-name monitor password plaintext aruba123
```

What is the purpose of this configuration?

- A.** Implement replay protection for AAA messages
- B.** Define the account to implement downloadable user roles
- C.** Speed up the AAA authentication process
- D.** Define the account to implement change of authorization

Answer: D (LEAVE A REPLY)

https://techhub.hp.com/eginfolib/networking/docs/switches/K-KA-KB/16-01/5200-0122_access_security_guide/content/ch09s02.html

NEW QUESTION: 87

Examine the following ACL rule policies:

- * Permit traffic from 10.2.2.1 through 10.2.2.30 to anywhere
- * Permit traffic from 10 2 2 40 through 10 2 2 55 to anywhere
- * Deny all others

Based on this policy, place the following ACL rule statements in the correct order to accomplish the above filtering policy.

- A.** permit ip 10 2 2 40 255 255 255 248 any
permit ip 10 2 2 48 255 255 255 248 any
permit ip 10 2 2 0 255 255 255 192 any
deny ip 10.2.2.31 255.255.255.255 any
deny ip 10 2 2 32 255 255 255 224 any
- B.** deny ip 10 2 2 31 255 255 255 255 any
permit ip 10,2.2 40 255 255 255 248 any
permit ip 10.2.2.48 255.255.255.248 any
deny ip 10 2 2 32 255 255 255 224 any
permit ip 10.2.2.0 255.255.255.192 any
- C.** deny ip 10 ,2.2.31 255.255.255.255 any
permit ip 10 2 2 40 255 255 255 248 any
deny ip 10 2 2 32 255 255 255 224 any
permit ip 10 2 2 48 255 255 255 248 any
permit tp 10.2.2.0 255.255.255.192 any
- D.** denv ip 10 2 2 31 255 255 255 255 any
deny ip 10 2 2 32 255 255 255 224 any

```
permit ip 10 2 2 40 255 255 255 248 any
permit ip 10.2.2 48 255 255 255.248 any
permit ip 10 2.2 0 255 255 255.192 any
```

Answer: B (LEAVE A REPLY)

NEW QUESTION: 88

A company has implemented 802.1X authentication on AOS-CX access switches, where two ClearPass servers are used to implement AAA. Each switch has the two servers defined. A network engineer notices the following command configured on the AOS-CX switches:

```
radius-server tracking user-name monitor password plaintext aruba123
```

What is the purpose of this configuration?

- A. Define the account to implement downloadable user roles
- B. Define the account to implement change of authorization
- C. Speed up the AAA authentication process
- D. Implement replay protection for AAA messages

Answer: C (LEAVE A REPLY)

NEW QUESTION: 89

An administrator has configured the following on an AOS-CX switch:



```
object-group ip address web-servers
 10.1.12.2
 10.1.12.3
exit
object-group port web-ports
eq 80
eq 443
```

What is the correct ACL rule configuration that would allow traffic from anywhere to reach the web ports on the two specified servers?

- A. access-list ip server 10 permit tcp any group web-servers group web-ports
- B. access-list ip server 10 permit tcp any web-servers group web-ports
- C. access-list ip server 10 permit tcp any web-servers web-ports
- D. access-list ip server 10 permit tcp any object-group web-servers object-group web-ports

Answer: C (LEAVE A REPLY)

NEW QUESTION: 90

When an AOS-CX switch uses a temporary copy of the Configuration State database, what kind of analysis does NetEdit perform to ensure that the configuration is correct?

- A. Syntax validation
- B. Semantic validation
- C. Conformance validation

D. Change validation

Answer: D (LEAVE A REPLY)

Validation processes

+ Syntax validation

- When: while typing

- What: command syntax including in-line help

+ Semantics validation

- When: VALIDATE button (in multi-editor) or before DEPLOY

- What: configuration consistency

+ Conformance validation

- When: while editing

- What: compliance with conformance rules: corporate policies, minimum connectivity requirements, etc.

+ Change validation

- When: during DEPLOY (before and after configuration deployment)

- What: compares device state before and after changes are applied (using show commands)

NEW QUESTION: 91

A company has a third-party AAA server solution. The campus access layer was just upgraded to AOS-CX switches that perform access control with MAC-Auth and 802.1X. The company has an Aruba Mobility Controller (MC) solution for wireless, and they want to leverage the firewall policies on the controllers for the wired traffic. What is correct about how the company should implement a security solution where the wired traffic is processed by the gateways?

A. Implement downloadable user roles with a device role defined on the AOS-CX switches and MCs

B. Implement standards-based RADIUS VSAs to pass policy information directly to the AOS-CX switches and MCs

C. Implement local user roles with a gateway role defined on the AOS-CX switches

D. Implement downloadable user roles with a gateway role defined on the AOS-CX switches

Answer: C (LEAVE A REPLY)

Valid HPE6-A73 Dumps shared by BraindumpsPass.com for Helping Passing HPE6-A73 Exam!

BraindumpsPass.com now offer the **newest HPE6-A73 exam dumps**, the BraindumpsPass.com HPE6-A73 exam **questions have been updated** and **answers have been corrected** get the **newest**

BraindumpsPass.com HPE6-A73 dumps with Test Engine here: <https://www.braindumpsPass.com/HP/HPE6-A73-practice-exam-dumps.html> (130 Q&As Dumps, **40%OFF Special Discount: Exam-Tests**)

NEW QUESTION: 92

A network administrator is tasked to set up BGP in the company's network. The administrator is defining an eBGP peering between an AOS-CX switch and a directly-connected service provider. The administrator has configured the following on the AOS-CX switch:

```
switch(config)# interface loopback 0
switch(config-loopback-if)# ip address 10.1.1.1/32
switch(config-loopback-if)# exit
switch(config)# interface 1/1/1
switch(config-if)# no shutdown
switch(config-if)# routing
switch(config-if)# ip address 192.168.1.2/30
switch(config-if)# exit
switch(config)# router bgp 64500
switch(config-bgp)# neighbor 192.168.1.1 remote-as 64511
switch(config-bgp)# bgp router-id 192.168.1.2
switch(config-bgp)# address-family ipv4 unicast
switch(config-bgp-ipv4-uc)# exit
```



However, when using the "show bgp all summary" command, the state does not display "Established" for the eBGP peer. What must the administrator configure to fix this issue?

- A. router bgp 64500 address-family ipv4 unicast neighbor 192.168.1.1 activate
- B. router bgp 64500 neighbor 192.168.1.1 ebgp-multihop
- C. router bgp 64500 enable
- D. router bgp 64500 neighbor 192.168.1.1 update-source loopback0

Answer: A (LEAVE A REPLY)

NEW QUESTION: 93

Examine the output from an AOS-CX switch implementing a dynamic segmentation solution involving downloadable user roles:

```
Switch# show port-access role clearpass
```

Role information:

Name : icxarubadur_employee-3044-2

Type : clearpass

Status: failed, parsing_failed

Reauthentication Period :

Authentication Mode :

Session Timeout :

The downloadable user roles are not being downloaded to the AOS-CX switch. Based on the above output, what is the problem?

- A. There is a date/time issue between the ClearPass server and the switch
- B. The certificate that ClearPass uses is invalid
- C. The AOS-CX switch does not have the ClearPass certificate involved
- D. DNS fails to resolve the ClearPass server's FQDN

Answer: (SHOW ANSWER)

NEW QUESTION: 94

Examine the configuration performed on newly deployed AOS-CX switches:

```
Switch(config)# radius-server host cppm key plaintext aruba123 vrf mgmt
Switch(config)# aaa authentication port-access dot1x authenticator radius server-group cppm
Switch(config)# aaa authentication port-access dot1x authenticator enable
Switch(config)# interface 1/1/1 – 1/1/48
Switch(config-if)# aaa authentication port-access dot1x authenticator
Switch(config-if-dot1x-auth)# enable
Switch(config-if-dot1x-auth)# exit
Switch(config-if)# exit
```

After performing this configuration, the administrator notices that the switch ports always remain in the EAP start state. What should the administrator do to fix this problem?

- A. Define the server group cppm
- B. Set the ports to client-mode
- C. Create and assign a local user role to the ports
- D. Enable change of authorization (CoA)

Answer: A (LEAVE A REPLY)

<https://community.arubanetworks.com/blogs/esupport1/2020/04/29/downloadable-user-role-configuration-in-aruba-os-cx-with-mac-authentication>

NEW QUESTION: 95

A company requires access by all users, guests, and employees to be authenticated. Employees will be authenticated using 802.1X, whereas guests will be authenticated using captive portal. Which type of authentication must be configured on an AOS-CX switch ports where both guests and employees connect?

- A. Both 802.1X and MAC-Auth
- B. 802.1X only
- C. 802.1X, captive portal, and MAC-Auth
- D. Both 802.1X and captive portal

Answer: B (LEAVE A REPLY)

NEW QUESTION: 96

Which concept is implemented using Aruba's dynamic segmentation?

- A. Device fingerprinting
- B. Zero Touch Provisioning
- C. Colorless port
- D. Root of trust

Answer: A (LEAVE A REPLY)

Explanation

<https://blogs.arubanetworks.com/solutions/whats-hiding-on-your-network/>

NEW QUESTION: 97

Which AOS-CX switches support weighted fair queuing (WFQ)?

- A. Both 8320 and 8325
- B. Both 6300 and 6400
- C. 8400 only
- D. 6300 only

Answer: C (LEAVE A REPLY)

https://www.arubanetworks.com/techdocs/AOS-CX/AOS-CX-CLI-Bank/cli_8400/Content/QoS_cmds/wfq-que-xl-swi.htm

NEW QUESTION: 98

What is correct regarding the tunneling of user traffic between AOS-CX switches and Aruba Mobility Controllers (MCs)?

- A. Uses IPsec to protect the management and data traffic
- B. Uses IPsec to protect the management traffic
- C. Supports only port-based tunneling
- D. Uses the same management protocol as Aruba APs

Answer: D (LEAVE A REPLY)

because both AP and Switch use PAPI . Moreover in AOS-CX switch currently not support port based tunnel. AOS-CX switch only support User Based Tunnel (UBT)

NEW QUESTION: 99

Examine the configuration performed on newly deployed AOS-CX switches:

```
Switch(config)# radius-server host cppm key plaintext aruba123 vrf mgmt
Switch(config)# aaa authentication port-access dot1x authenticator radius server-group cppm
Switch(config)# aaa authentication port-access dot1x authenticator enable
Switch(config)# interface 1/1/1 - 1/1/48
Switch(config-if)# aaa authentication port-access dot1x authenticator
Switch(config-if-dot1x-auth)# enable
Switch(config-if-dot1x-auth)# exit
Switch(config-if)# exit
```

After performing this configuration, the administrator notices that the switch ports always remain in the EAP start state. What should the administrator do to fix this problem?

- A. Define the server group cppm
- B. Enable change of authorization (CoA)
- C. Create and assign a local user role to the ports
- D. Set the ports to client-mode

Answer: B (LEAVE A REPLY)

NEW QUESTION: 100

An administrator has configured the following on an AOS-CX switch:

```
object-group ip address web-servers
 10.1.12.2
 10.1.12.3
exit
object-group port web-ports
eq 80
eq 443
```



What is the correct ACL rule configuration that would allow traffic from anywhere to reach the web ports on the two specified servers?

- A. access-list ip server 10 permit tcp any group web-servers group web-ports
- B. access-list ip server 10 permit tcp any object-group web-servers object-group web-ports
- C. access-list ip server 10 permit tcp any web-servers group web-ports
- D. access-list ip server 10 permit tcp any web-servers web-ports

Answer: D ([LEAVE A REPLY](#))

NEW QUESTION: 101

Examine the following AOS-CX switch configuration:

```
Access(config)# access-list ip ext
Access(config-acl-ip)# permit ip any 10.0.11.0/255.0.255.0 count
Access(config-acl-ip)# permit ip any 10.0.12.0/255.0.255.0 log
Access(config-acl-ip)# exit
Access(config)# interface 1/1/3
Access(config-if)# apply access-list ip ext in
Access(config-if)# exit
```

Which statement correctly describes what is allowed for traffic entering interface 1/1/3?

- A. IP traffic from 10.1.12.0/24 is allowed to access 172.0.1.0/23
- B. IP traffic from 10.1.11.0/24 is allowed to access 10.1.110.0/24
- C. IP traffic from 10.0.11.0/24 is allowed to access 10.1.12.0/24
- D. Traffic from 10.0.12.0/24 will generate a log record when accessing 10.0.11.0/24

Answer: (SHOW ANSWER)

Valid HPE6-A73 Dumps shared by BraindumpsPass.com for Helping Passing HPE6-A73 Exam!

BraindumpsPass.com now offer the **newest HPE6-A73 exam dumps**, the BraindumpsPass.com HPE6-A73

exam **questions have been updated** and **answers have been corrected** get the **newest**
BraindumpsPass.com HPE6-A73 dumps with Test Engine here: <https://www.braindumps.com/HP/HPE6-A73-practice-exam-dumps.html> (130 Q&As Dumps, **40%OFF** Special Discount: **Exam-Tests**)